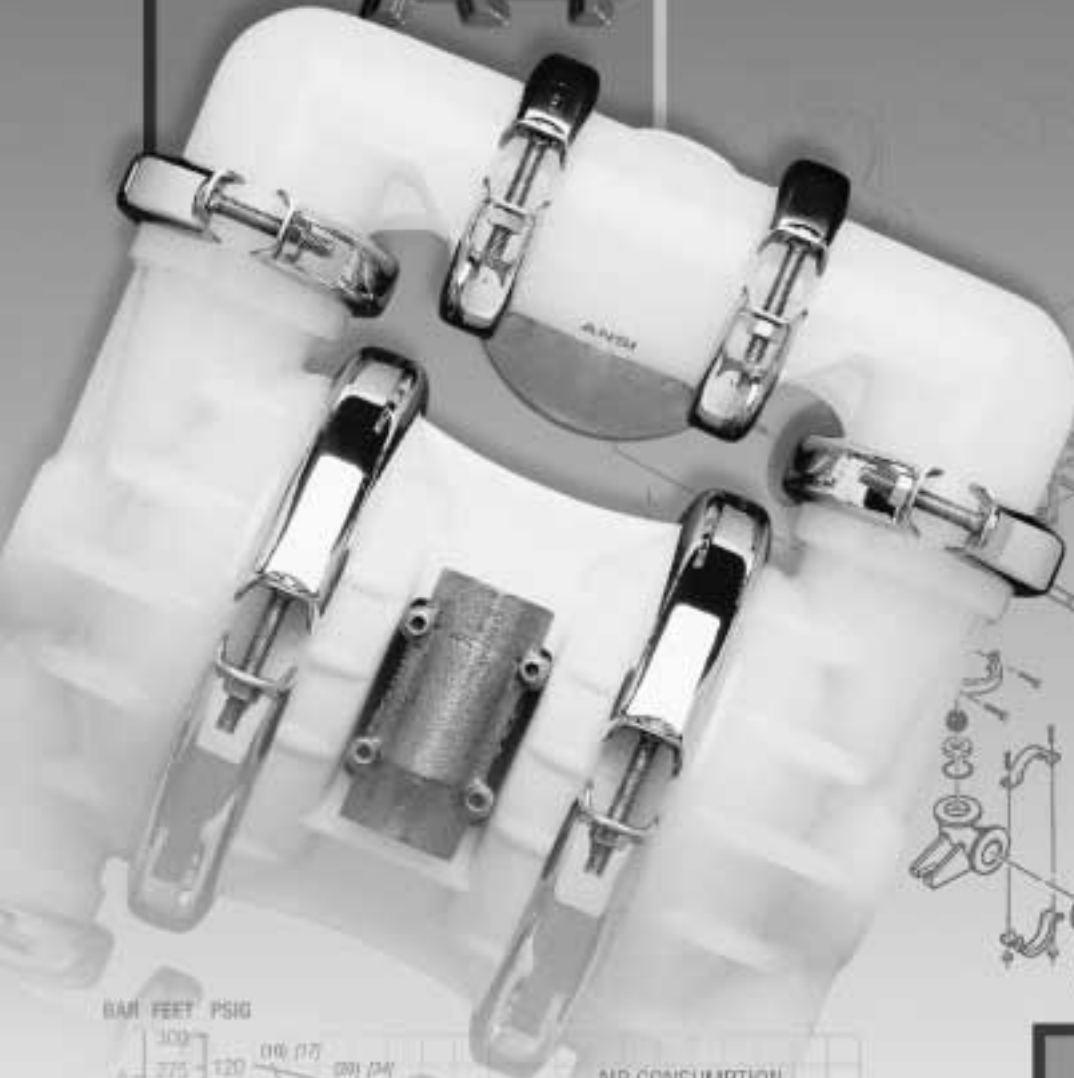


T4 A4

Engineering Operation & Maintenance

CE



BAR FEET PSIG



WILDEN®

AIR OPERATED DOUBLE DIAPHRAGM PUMPS

A DOVER RESOURCES COMPANY

10	20	30	40	50	60	70	80	90
100	114	131	148	165	182	200	217	234

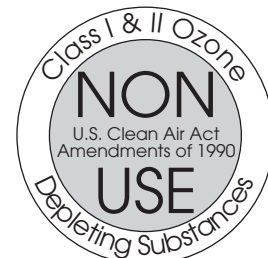
TURBOFLO™
PROGRESSIVE PUMP TECHNOLOGY

ACCUFLO™
SOLENOID PUMP TECHNOLOGY

Plastic Pumps

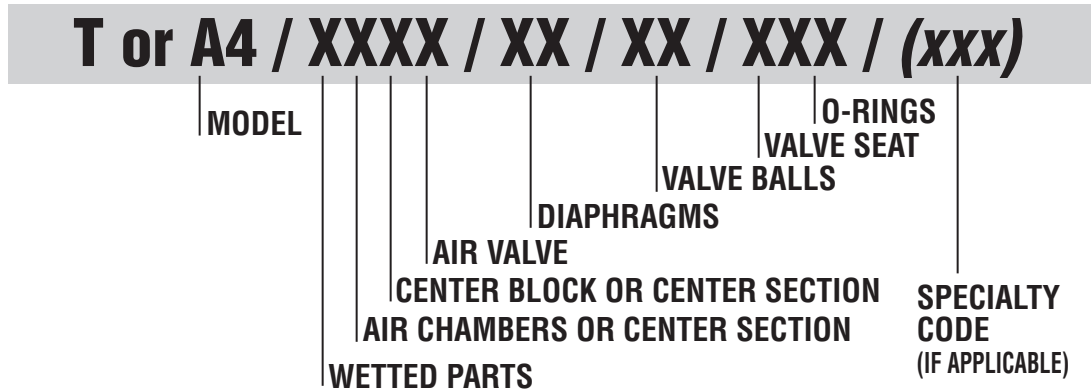
TABLE OF CONTENTS

	PAGE #
SECTION # 1 — PUMP DESIGNATION SYSTEM	1
SECTION # 2 — HOW IT WORKS (PUMP & AIR SYSTEMS)	2
SECTION # 3 — CAUTIONS	3
SECTION # 4 — DIMENSIONAL DRAWINGS	
A. Model T4 PLASTIC and Ultrapure Air-Operated	4
B. Model A4 PLASTIC Accu-Flo™	4
SECTION # 5 — PERFORMANCE CURVES	
A. Model T4 PLASTIC Rubber-Fitted.....	5
B. Model T4 PLASTIC Ultra-Flex™-Fitted.....	5
C. Model T4 PLASTIC TPE-Fitted.....	6
D. Model T4 PLASTIC Teflon®-Fitted.....	6
E. Model A4 PLASTIC Accu-Flo™ TPE®-Fitted	7
F. Model A4 PLASTIC Accu-Flo™ TPE®-Fitted 70/30 Operating Condition	7
G. Model A4 PLASTIC Accu-Flo™ Teflon®-Fitted.....	8
H. Model A4 PLASTIC Accu-Flo™ Teflon®-Fitted 70/30 Operating Condition	8
SECTION # 6 — SUCTION LIFT CURVES & DATA	
A. Model T4 PLASTIC Air-Operated	9
B. Model A4 PLASTIC Accu-Flo™	9
SECTION # 7 — INSTALLATION & OPERATION	
A. Installation — Turbo-Flo™ Suggested Installation Drawing	10
B. Air-Controlled Operation & Maintenance.....	11
C. Principles Behind Accu-Flo™ Pumps.....	12
D. Installation — Accu-Flo™ Pumps.....	12
E. Accu-Flo™ Operation & Maintenance	13
F. Troubleshooting — Turbo-Flo™ Pumps	14
G. Troubleshooting — Accu-Flo™ Pumps.....	14
SECTION # 8 — DIRECTIONS FOR DISASSEMBLY/REASSEMBLY	
A. Model T4 PLASTIC Wetted Path — Tools Required, Torque Specs, Cautions	15
B. Turbo-Flo™ Air Valve — Disassembly, Cleaning, Inspection	18
C. Reassembly Hints & Tips.....	20
D. Gasket Kit Installation	21
SECTION # 9 — EXPLODED VIEW/PARTS LISTING	
A. Model T4 PLASTIC Rubber/TPE-Fitted.....	22
B. Model T4 PLASTIC and Ultrapure Teflon®-Fitted.....	24
C. Model A4 PLASTIC Accu-Flo™	26
SECTION # 10 — REFERENCE	
A. Air-Operated Elastomer Options.....	28
B. Accu-Flo™ Electrical Reference.....	28



SECTION 1

WILDEN PUMP DESIGNATION SYSTEM



In the case where a center section is used instead of a center block and air chambers, the designation will be as follows: Polypropylene = PP

MODEL T4 OR A4 PLASTIC MATERIAL CODES

WETTED PARTS

K = KYNAR/PVDF
P = POLYPROPYLENE
T = TEFLON® PFA

AIR CHAMBERS

C = TEFLON®-COATED
M = MILD STEEL
N = NICKEL-PLATED
P = POLYPROPYLENE

CENTER SECTION

A = ALUMINUM
C = TEFLON®-COATED
N = NICKEL-PLATED
P = POLYPROPYLENE

AIR VALVE

A = ALUMINUM
(ACCU-FLO™ ONLY)
B = BRASS
C = TEFLON®-COATED
D = BRASS W/OIL BOTTLE
N = NICKEL-PLATED
S = STAINLESS STEEL

DIAPHRAGMS

BN = BUNA-N® (Red Dot)
FG = SANIFLEX™
ND = NORDEL®
NE = NEOPRENE
PU = POLYURETHANE
TF = TEFLON® PTFE
VT = VITON®
WF = WIL-FLEX™ (Orange)

VALVE BALL

BN = BUNA-N® (Red Dot)
FG = SANIFLEX™
FV = FOOD GRADE VITON®
ND = NORDEL® (Blue)
NE = NEOPRENE (Green)
PU = POLYURETHANE
TF = TEFLON® PTFE (White)
VT = VITON® (Silver or White Dot)
WF = WIL-FLEX™ (Orange)

VALVE SEAT

K = KYNAR/PVDF
P = POLYPROPYLENE
T = TEFLON® PFA

VALVE SEAT O-RING

BN = BUNA-N®
PU = POLYURETHANE
TV = TEFLON® ENCAP. VITON®

NOTE: ELASTOMERIC MATERIALS USE COLORED DOTS FOR IDENTIFICATION.

SECTION 2

THE WILDEN PUMP — HOW IT WORKS

The Wilden diaphragm pump is an air-operated, positive displacement, self-priming pump. These drawings show the flow pattern through the pump upon its initial stroke. It is assumed the pump has no fluid in it prior to its initial stroke.

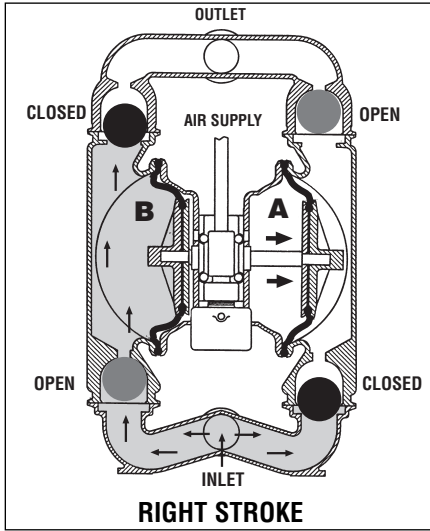


FIGURE 1 The air valve directs pressurized air to the back side of diaphragm A. The compressed air is applied directly to the liquid column separated by elastomeric diaphragms. The diaphragm acts as a separation membrane between the compressed air and liquid, balancing the load and removing mechanical stress from the diaphragm. The compressed air moves the diaphragm away from the center block of the pump. The opposite diaphragm is pulled in by the shaft connected to the pressurized diaphragm. Diaphragm B is on its suction stroke; air behind the diaphragm has been forced out to the atmosphere through the exhaust port of the pump. The movement of diaphragm B toward the center block of the pump creates a vacuum within liquid chamber B. Atmospheric pressure forces fluid into the inlet manifold forcing the inlet valve ball off its seat. Liquid is free to move past the inlet valve ball and fill the liquid chamber (see shaded area).

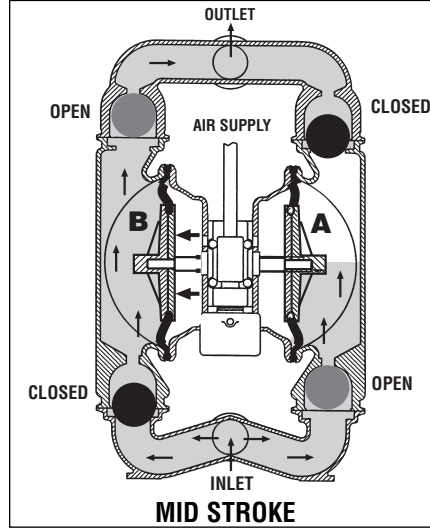


FIGURE 2 When the pressurized diaphragm, diaphragm A, reaches the limit of its discharge stroke, the air valve redirects pressurized air to the back side of diaphragm B. The pressurized air forces diaphragm B away from the center block while pulling diaphragm A to the center block. Diaphragm B is now on its discharge stroke. Diaphragm B forces the inlet valve ball onto its seat due to the hydraulic forces developed in the liquid chamber and manifold of the pump. These same hydraulic forces lift the discharge valve ball off its seat, while the opposite discharge valve ball is forced onto its seat, forcing fluid to flow through the pump discharge. The movement of diaphragm A toward the center block of the pump creates a vacuum within liquid chamber A. Atmospheric pressure forces fluid into the inlet manifold of the pump. The inlet valve ball is forced off its seat allowing the fluid being pumped to fill the liquid chamber.

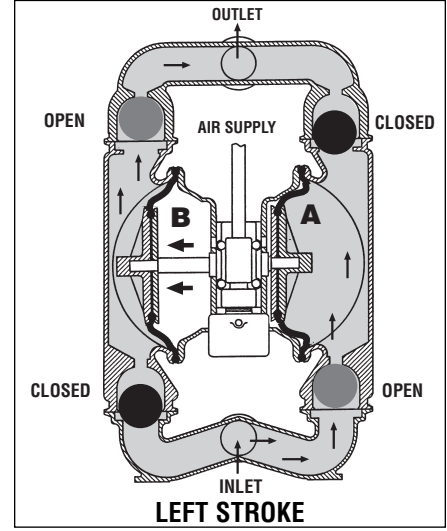


FIGURE 3 At completion of the stroke, the air valve again redirects air to the back side of diaphragm A, which starts diaphragm B on its exhaust stroke. As the pump reaches its original starting point, each diaphragm has gone through one exhaust and one discharge stroke. This constitutes one complete pumping cycle. The pump may take several cycles to completely prime depending on the conditions of the application.

SECTION 3

WILDEN MODEL T4 PLASTIC CAUTIONS – READ FIRST!



TEMPERATURE LIMITS:

Polypropylene	0°C to 79°C	32°F to 175°F
PVDF	-12°C to 107°C	10°F to 225°F
Teflon® PFA	-28.9°C to 107°C	-20°F to 225°F
Neoprene	-17.8°C to 93.3°C	0°F to 200°F
Buna-N®	-12.2°C to 82.2°C	10°F to 180°F
Nordei®	-51.1°C to 137.8°C	-60°F to 280°F
Viton®	-40°C to 176.7°C	-40°F to 350°F
Wil-Flex™	-40°C to 107.2°C	-40°F to 225°F
Polyurethane	12.2°C to 65.6°C	10°F to 150°F
Saniflex™	-28.9°C to 104.4°C	-20°F to 220°F
Teflon® PTFE	4.4°C to 104.4°C	40°F to 220°F



CAUTION: When choosing pump materials, be sure to check the temperature limits for all wetted components. Example: Viton® has a maximum limit of 176.7°C (350°F) but polypropylene has a maximum limit of only 79°C (175°F).



CAUTION: Maximum temperature limits are based upon mechanical stress only. Certain chemicals will significantly reduce maximum safe operating temperatures. Consult engineering guide for chemical compatibility and temperature limits.



CAUTION: Always wear safety glasses when operating pump. If diaphragm rupture occurs, material being pumped may be forced out air exhaust.



WARNING: Prevention of static sparking — If static sparking occurs, fire or explosion could result. Pump, valves, and containers must be properly grounded when handling flammable fluids and whenever discharge of static electricity is a hazard.



CAUTION: Do not exceed 8.6 Bar (125 psig) air supply pressure.



CAUTION: “Champ” series pumps are made of virgin plastic and are not UV stabilized. Direct sunlight for prolonged periods can cause deterioration of plastics.



CAUTION: Before any maintenance or repair is attempted, the compressed air line to the pump should be disconnected and all air pressure allowed to bleed from pump. Disconnect all intake, discharge and air lines. Drain the pump by turning it upside down and allowing any fluid to flow into a suitable container.



CAUTION: Blow out air line for 10 to 20 seconds before attaching to pump to make sure all pipe line debris is clear. Use an in-line air filter. A 5µ (micron) air filter is recommended.



NOTE: Tighten clamp bands and retainers prior to installation. Fittings may loosen during transportation.



NOTE: When installing Teflon® diaphragms, it is important to tighten outer pistons simultaneously (turning in opposite directions) to ensure tight fit.



NOTE: Before starting disassembly, mark a line from each liquid chamber to its corresponding air chamber. This line will assist in proper alignment during reassembly.



CAUTION: Verify the chemical compatibility of the process and cleaning fluid to the pump's component materials in the Chemical Resistance Guide (see E4).



CAUTION: When removing the end cap using compressed air, the air valve end cap may come out with considerable force. Hand protection such as a padded glove or rag should be used to capture the end cap.



NOTE: Non lube-free pumps must be lubricated. Wilden suggests an arctic 5 weight oil (ISO grade 15). Do not over-lubricate air supply. Over-lubrication will reduce pump performance.

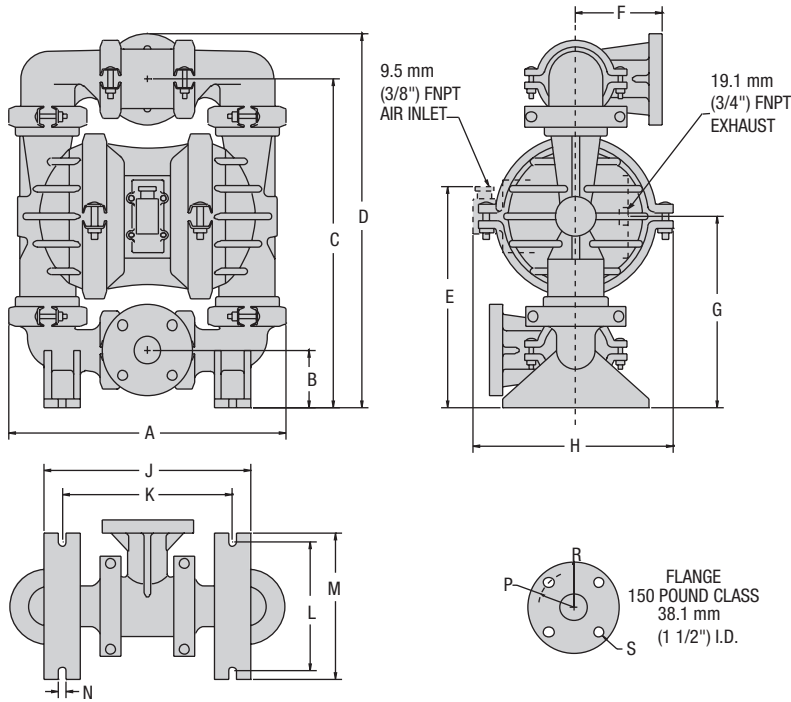


CAUTION: Only explosion proof (NEMA 7) solenoid valves should be used in areas where explosion proof equipment is required.

SECTION 4A

DIMENSIONAL DRAWING

WILDEN MODEL T4 PLASTIC CHAMP AND ULTRAPURE

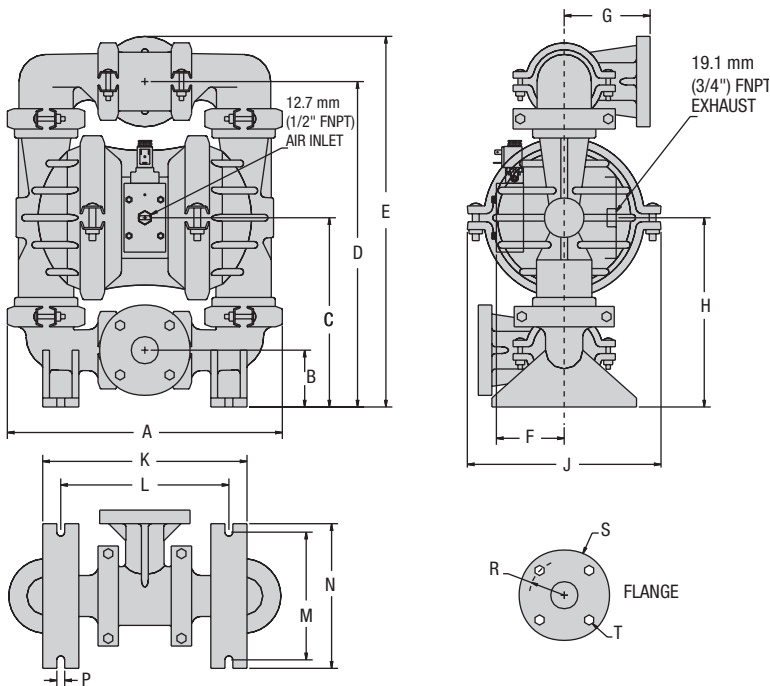


DIMENSIONS - T4 (PLASTIC)		
ITEM	METRIC (mm)	STANDARD (inch)
A	393.7	15 1/2
B	79.4	3 1/8
C	463.6	18 1/4
D	527.1	20 3/4
E	304.8	12
F	120.7	4 3/4
G	269.1	10 19/32
H	284.2	11 3/16
J	287.4	11 5/16
K	237.3	9 11/32
L	181.0	7 1/8
M	204.8	8 1/16
N	11.9	15/32
P	55.2 RAD.	1 15/16 RAD.
R	75.2 RAD.	2 1/2 RAD.
S	18.0 DIA.	9/16 DIA.

SECTION 4B

DIMENSIONAL DRAWING

WILDEN MODEL A4 PLASTIC ACCU-FLO™



DIMENSIONS - T4 ACCU-FLO™ (PLASTIC)		
ITEM	METRIC (mm)	STANDARD (inch)
A	393.7	15 1/2
B	79.4	3 1/8
C	269.1	10 19/32
D	463.6	18 1/4
E	527.1	20 3/4
F	95.3	3 3/4
G	120.7	4 3/4
H	269.1	10 19/32
J	284.2	11 3/16
K	287.4	11 5/16
L	237.3	9 11/32
M	181.0	7 1/8
N	204.8	8 1/16
P	11.9	15/32
R	55.2 RAD.	1 15/16 RAD.
S	75.2 RAD.	2 1/2 RAD.
T	18.0 DIA.	9/16 DIA.

SECTION 5A

PERFORMANCE CURVES

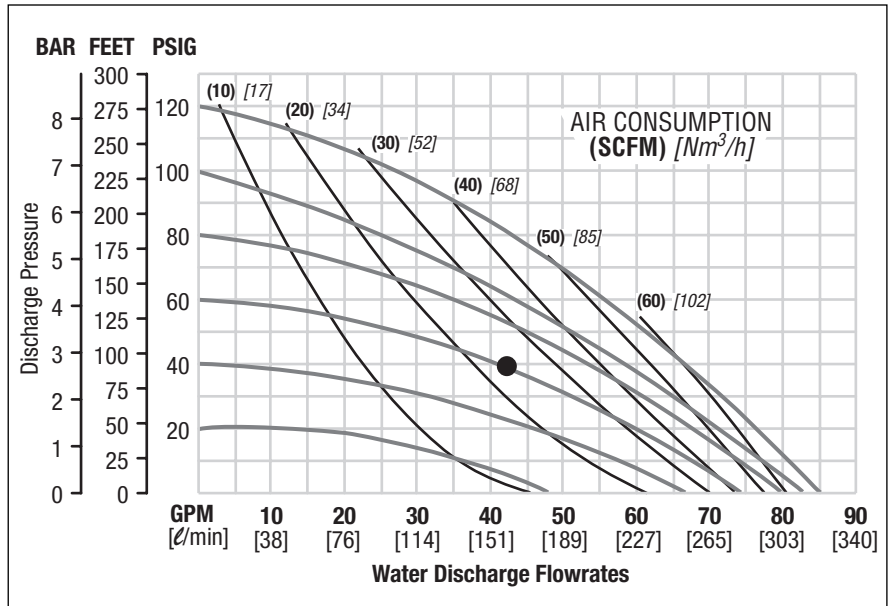
MODEL T4 PLASTIC RUBBER-FITTED

Height527.1 mm (20 $\frac{3}{4}$ "
 Width393.7 mm (15 $\frac{1}{2}$ "
 Depth.....284.2 mm (11 $\frac{3}{16}$ "
 Ship WeightPolypropylene 17.5 kg (38 lbs.)
 PVDF 22.5 kg (49 lbs.)
 Teflon® PFA 23.9 kg (52 lbs.)
 Air Inlet9.5 mm ($\frac{3}{8}$ "
 Inlet3.81 cm (1 $\frac{1}{2}$ "
 Outlet.....3.81 cm (1 $\frac{1}{2}$ "
 Suction Lift5.49 m Dry (18'
 8.53 m Wet (28')

Displacement per
 Stroke 1.02 l (0.27 gal.)¹
 Max. Flow Rate.....287.69 lpm (76 gpm)
 Max. Size Solids.....4.8 mm ($\frac{3}{16}$ "
¹Displacement per stroke was calculated at 4.8 Bar (70 psig) air inlet pressure against a 2 Bar (30 psig) head pressure.

Example: To pump 159 lpm (42 gpm) against a discharge pressure head of 2.7 Bar (40 psig) requires 4.1 Bar (60 psig) and 40.8 Nm³/h (24 scfm) air consumption. (See dot on chart.)

Caution: Do not exceed 8.6 Bar (125 psig) air supply pressure.



Flow rates indicated on chart were determined by pumping water.

For optimum life and performance, pumps should be specified so that daily operation parameters will fall in the center of the pump performance curve.

SECTION 5B

PERFORMANCE CURVES

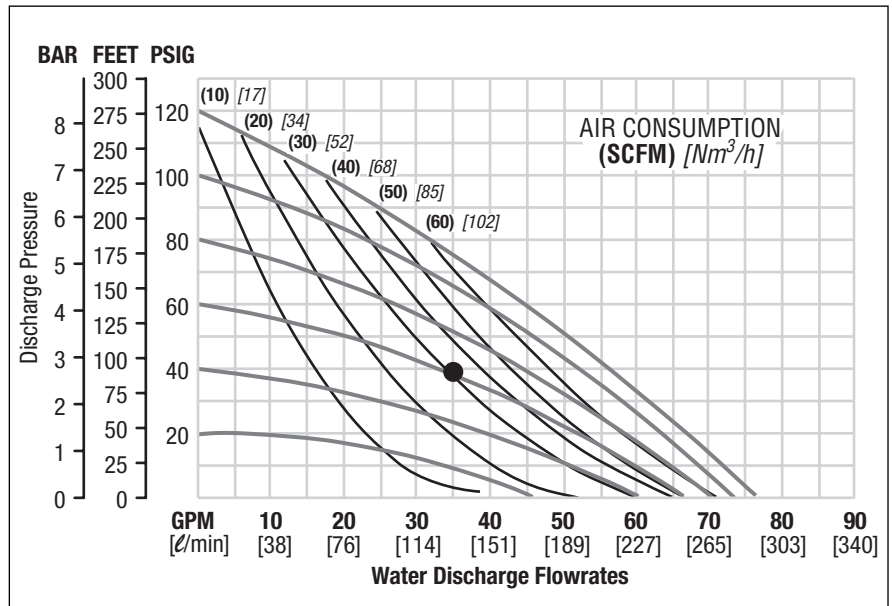
MODEL T4 PLASTIC ULTRA-FLEX™-FITTED

Height527.1 mm (20 $\frac{3}{4}$ "
 Width393.7 mm (15 $\frac{1}{2}$ "
 Depth.....284.2 mm (11 $\frac{3}{16}$ "
 Ship WeightPolypropylene 17.5 kg (38 lbs.)
 PVDF 22.5 kg (49 lbs.)
 Teflon® PFA 23.9 kg (52 lbs.)
 Air Inlet9.5 mm ($\frac{3}{8}$ "
 Inlet3.81 cm (1 $\frac{1}{2}$ "
 Outlet.....3.81 mm (1 $\frac{1}{2}$ "
 Suction Lift4.88 m Dry (16'
 8.23 m Wet (27')

Displacement per
 Stroke68 l (0.18 gal.)¹
 Max. Flow Rate.....234.7 lpm (62 gpm)
 Max. Size Solids.....4.8 mm ($\frac{3}{16}$ "
¹Displacement per stroke was calculated at 4.8 Bar (70 psig) air inlet pressure against a 2 Bar (30 psig) head pressure.

Example: To pump 132.5 lpm (35 gpm) against a discharge pressure head of 2.7 Bar (40 psig) requires 4.1 Bar (60 psig) and 51 Nm³/h (30 scfm) air consumption. (See dot on chart.)

Caution: Do not exceed 8.6 Bar (125 psig) air supply pressure.



Flow rates indicated on chart were determined by pumping water.

For optimum life and performance, pumps should be specified so that daily operation parameters will fall in the center of the pump performance curve.

SECTION 5C

PERFORMANCE CURVES

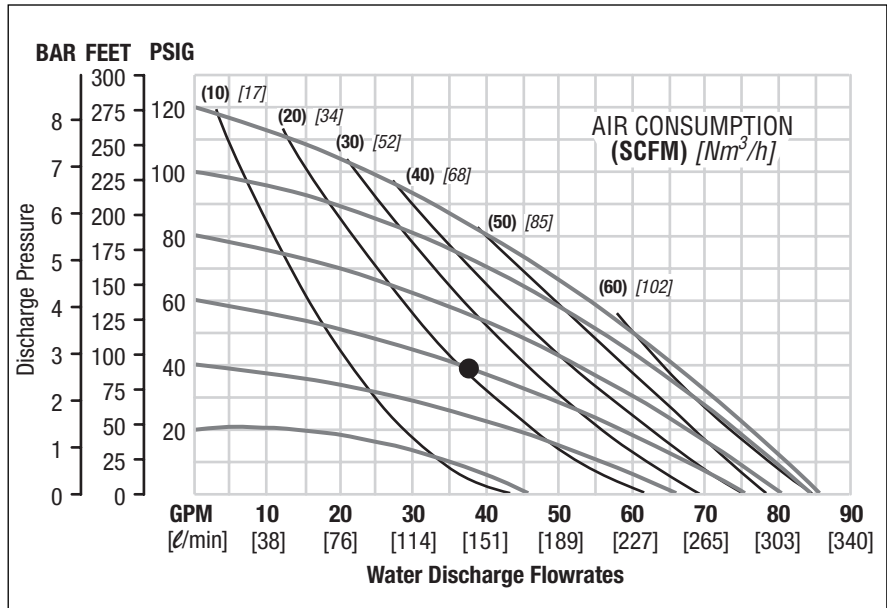
MODEL T4 PLASTIC TPE-FITTED

Height527.1 mm (20³/₄"")
 Width393.7 mm (15¹/₂"")
 Depth.....284.2 mm (11¹/₆"")
 Ship WeightPolypropylene 17.5 kg (38 lbs.)
 PVDF 22.5 kg (49 lbs.)
 Teflon® PFA 23.9 kg (52 lbs.)
 Air Inlet9.5 mm (3/8")
 Inlet3.81 cm (1¹/₂"")
 Outlet.....3.81 mm (1¹/₂"")
 Suction Lift4.27 m Dry (14')
 8.23 m Wet (27')

Displacement per
 Stroke 1.17 l (0.31 gal.)¹
 Max. Flow Rate.....306.6 lpm (81 gpm)
 Max. Size Solids.....4.8 mm (3/16")
¹Displacement per stroke was calculated at 4.8 Bar (70 psig) air inlet pressure against a 2 Bar (30 psig) head pressure.

Example: To pump 143.9 lpm (38 gpm) against a discharge pressure head of 2.7 Bar (40 psig) requires 4.1 Bar (60 psig) and 35.7 Nm³/h (21 scfm) air consumption. (See dot on chart.)

Caution: Do not exceed 8.6 Bar (125 psig) air supply pressure.



Flow rates indicated on chart were determined by pumping water.

For optimum life and performance, pumps should be specified so that daily operation parameters will fall in the center of the pump performance curve.

SECTION 5D

PERFORMANCE CURVES

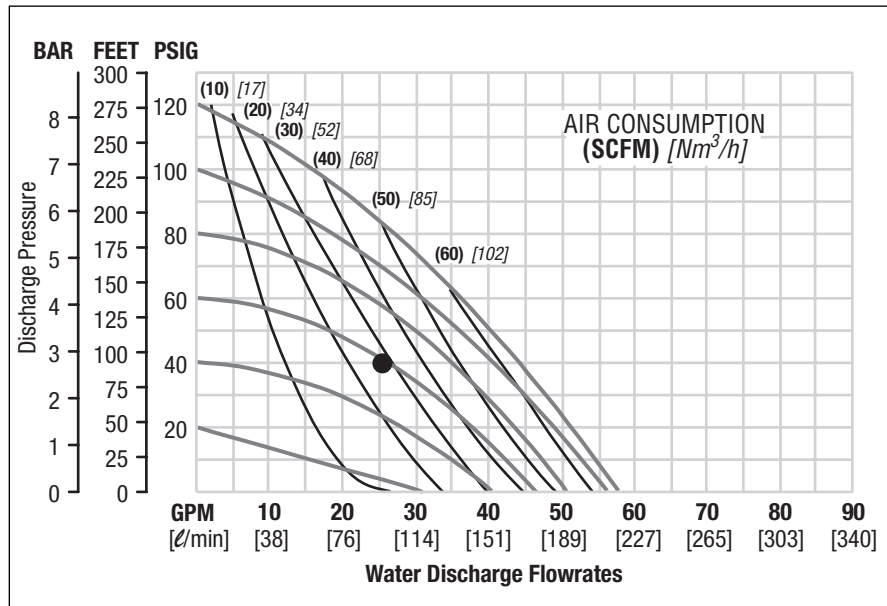
MODEL T4 PLASTIC TEFLON®-FITTED

Height527.1 mm (20³/₄"")
 Width393.7 mm (15¹/₂"")
 Depth.....284.2 mm (11¹/₆"")
 Ship WeightPolypropylene 17.5 kg (38 lbs.)
 PVDF 22.5 kg (49 lbs.)
 Teflon® PFA 23.9 kg (52 lbs.)
 Air Inlet9.5 mm (3/8")
 Inlet3.81 cm (1¹/₂"")
 Outlet.....3.81 mm (1¹/₂"")
 Suction Lift2.74 m Dry (9')
 8.53 m Wet (28')

Displacement per
 Stroke53 l (0.14 gal.)¹
 Max. Flow Rate.....234.7 lpm (62 gpm)
 Max. Size Solids.....4.8 mm (3/16")
¹Displacement per stroke was calculated at 4.8 Bar (70 psig) air inlet pressure against a 2 Bar (30 psig) head pressure.

Example: To pump 94.6 lpm (25 gpm) against a discharge pressure head of 2.7 Bar (40 psig) requires 4.1 Bar (60 psig) and 51 Nm³/h (30 scfm) air consumption. (See dot on chart.)

Caution: Do not exceed 8.6 Bar (125 psig) air supply pressure.



Flow rates indicated on chart were determined by pumping water.

For optimum life and performance, pumps should be specified so that daily operation parameters will fall in the center of the pump performance curve.

SECTION 5G

PERFORMANCE CURVES

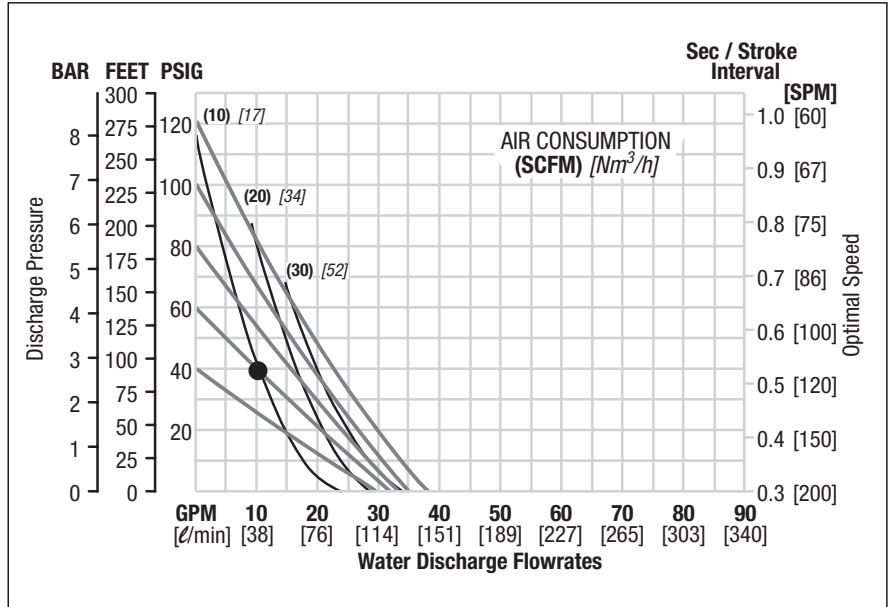
MODEL A4 PLASTIC ACCU-FLO™ TEFLON®-FITTED

Height527.1 mm (20¾")
 Width393.7 mm (15½")
 Depth.....284.2 mm (11⅞")
 Ship Weight .Polypropylene 16.2 kg (35.6 lbs.)
 PVDF 21.1 kg (46.6 lbs.)
 Teflon® PFA 22.5 kg (49.6 lbs.)
 Air Inlet9.5 mm (⅜")
 Inlet3.81 cm (1½")
 Outlet.....3.81 mm (1½")
 Suction Lift2.13 m Dry (7')
 8.84 m Wet (29')

Displacement per
 Stroke42 l (0.11 gal.)¹
 Max. Flow Rate.....143.85 lpm (38 gpm)
 Max. Size Solids.....4.8 mm (⅜")
 ¹Displacement per stroke was calculated at 4.8 Bar (70 psig) air inlet pressure against a 2 Bar (30 psig) head pressure.

Example: To pump 38 lpm (10 gpm) against a discharge pressure head of 2.7 Bar (40 psig) requires 4.1 Bar (60 psig), 17 Nm³/h (10 scfm) air consumption, and a pump speed of 115 strokes/minute. (See dot on chart.)

Caution: Do not exceed 8.6 Bar (125 psig) air supply pressure.



Flow curves are for "optimal speed" conditions only. The "optimal speed" is that speed which provides the maximum flow under a particular air and fluid pressure condition. The optimal speed varies for different fluid and air pressures. Recommendations for optimal speed can be found on the right side of the flow curve.

Flow rates indicated on chart were determined by pumping water.

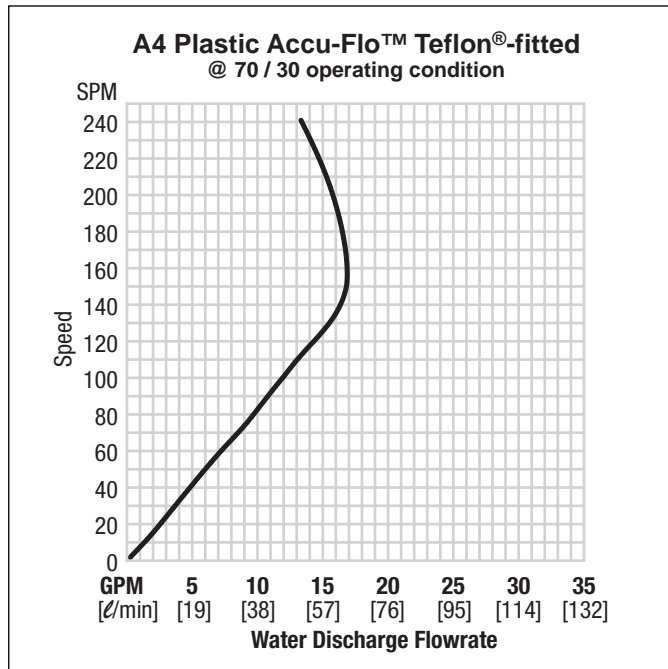
For optimum life and performance, pumps should be specified so that daily operation parameters will fall in the center of the pump performance curve.

SECTION 5H

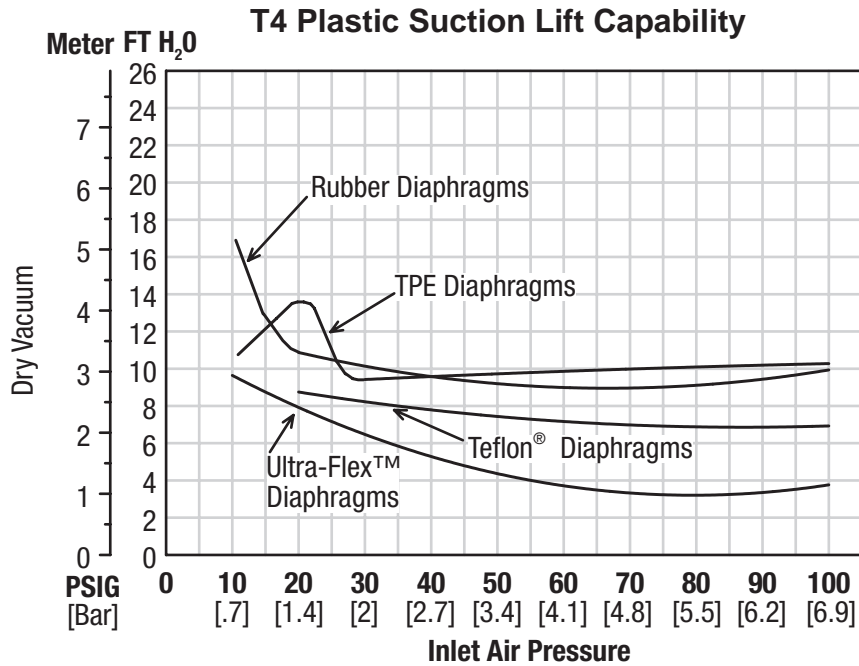
70/30 OPERATING CONDITION

MODEL A4 PLASTIC ACCU-FLO™ TEFLON®-FITTED

This curve demonstrates the flow created when the stroke rate is modified under a static air and fluid pressure condition. This curve can be applied to different pressure conditions to estimate the change in flow due to stroke rate.



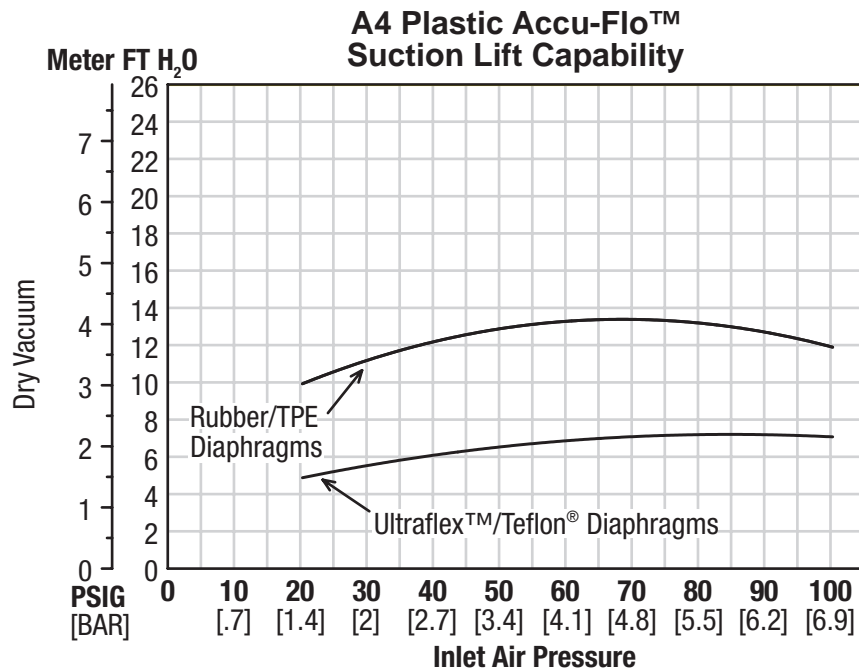
SECTION 6A – AIR-CONTROLLED SUCTION LIFT CURVES & DATA



Suction lift curves are calibrated for pumps operating at 305 m (1,000') above sea level. This chart is meant to be a guide only. There are many variables which can affect your pump's operating characteristics. The number of intake and discharge elbows,

viscosity of pumping fluid, elevation (atmospheric pressure) and pipe friction loss all affect the amount of suction lift your pump will attain.

SECTION 6B – ACCU-FLO™ SUCTION LIFT CURVES & DATA



The solenoid was running at 150 strokes / minute.
Actual suction lift may vary with different pump speeds.

Suction lift curves are calibrated for pumps operating at 305 m (1,000') above sea level. This chart is meant to be a guide only. There are many variables which can affect your pump's operating characteristics. The number of intake and discharge elbows,

viscosity of pumping fluid, elevation (atmospheric pressure) and pipe friction loss all affect the amount of suction lift your pump will attain.

SECTION 7A

INSTALLATION – T4 PLASTIC AIR-OPERATED PUMPS

The Model T4 Plastic pump has a 3.81 cm (1½") inlet and 3.81 cm (1½") outlet and is designed for flows to 306.6 lpm (81 gpm). A variety of diaphragms, valve balls, valve seats, and O-rings are available to satisfy temperature, chemical compatibility, abrasion and flex concerns.

The suction pipe size should be at least 3.81 cm (1½") diameter or larger if highly viscous material is being pumped. The suction hose must be non-collapsible, reinforced type as the T4 is capable of pulling a high vacuum. Discharge piping should be at least 3.81 cm (1½"); larger diameter can be used to reduce friction losses. It is critical that all fittings and connections are airtight or a reduction or loss of pump suction capability will result.

For T4 Champ models, Wilden offers 150 lb. standard or metric flanges. The following details should be noted when mating these to pipe works:

- A 60–80 shore gasket that covers the entire flange face should be used.
- The gasket should be between .075" and .175" thickness.
- Mating flanges with flat as opposed to raised surfaces should be used for proper mechanical sealing.
- The flanges should be tightened to a minimum of 6.8 m-N (5 ft.-lbs.) but no more than 13.5 m-N (10 ft.-lbs.).

A non-raised surfaced-flange adapter should be utilized when mating to the pump's inlet and discharge manifolds for proper sealing.

INSTALLATION: Months of careful planning, study, and selection efforts can result in unsatisfactory pump performance if installation details are left to chance.

Premature failure and long term dissatisfaction can be avoided if reasonable care is exercised throughout the installation process.

LOCATION: Noise, safety, and other logistical factors usually dictate that "utility" equipment be situated away from the production floor. Multiple installations with conflicting requirements can result in congestion of utility areas, leaving few choices for siting of additional pumps.

Within the framework of these and other existing conditions, every pump should be located in such a way that four key factors are balanced against each other to maximum advantage.

1. **ACCESS:** First of all, the location should be accessible. If it's easy to reach the pump, maintenance personnel will have an easier time carrying out routine inspections and adjustments. Should major repairs become necessary, ease of access can play a key role in speeding the repair process and reducing total downtime.

2. **AIR SUPPLY:** Every pump location should have an air line large enough to supply the volume of air necessary to achieve the desired pumping rate (see pump performance chart). Use air pressure up to a maximum of 8.6 Bar (125 psi) depending upon pumping requirements. The use of an air filter before the pump will ensure that the majority of any pipeline contaminants will be eliminated. For best results, the pumps should use an air filter, regulator, and lubricator system.

3. **ELEVATION:** Selecting a site that is well within the pump's suction lift capability will assure that loss-of-prime troubles will be eliminated. In addition, pump efficiency can be adversely affected if proper attention is not given to elevation (see pump

performance chart).

4. **PIPING:** Final determination of the pump site should not be made until the piping problems of each possible location have been evaluated. The impact of current and future installations should be considered ahead of time to make sure that inadvertent restrictions are not created for any remaining sites.

The best choice possible will be a site involving the shortest and the straightest hook-up of suction and discharge piping. Unnecessary elbows, bends, and fittings should be avoided. Pipe sizes should be selected so as to keep friction losses within practical limits. All piping should be supported independently of the pump. In addition, it should line up without placing stress on the pump fittings.

Expansion joints can be installed to aid in absorbing the forces created by the natural reciprocating action of the pump. If the pump is to be bolted down to a solid foundation, a mounting pad placed between the pump and foundation will assist in minimizing pump vibration. Flexible connections between the pump and rigid piping will also assist in minimizing pump vibration. If quick-closing valves are installed at any point in the discharge system, or if pulsation within a system becomes a problem, a surge suppressor should be installed to protect the pump, piping and gauges from surges and water hammer.

When pumps are installed in applications involving flooded suction or suction head pressures, a gate valve should be installed in the suction line to permit closing of the line for pump service.

The T4 can be used in submersible applications only when both wetted and non-wetted portions are compatible with the material being pumped. If the pump is to be used in a submersible application, a hose should be attached to the pump's air exhaust and the exhaust air piped above the liquid level.

If the pump is to be used in a self-priming application, be sure that all connections are airtight and that the suction lift is within the pump's ability. Note: Materials of construction and elastomer material have an effect on suction lift parameters. Please refer to pump performance data.

Pumps in service with a positive suction head are most efficient when inlet pressure is limited to .5–.7 Bar (7–10 psig). Premature diaphragm failure may occur if positive suction is .8 Bar (11 psig) and higher.

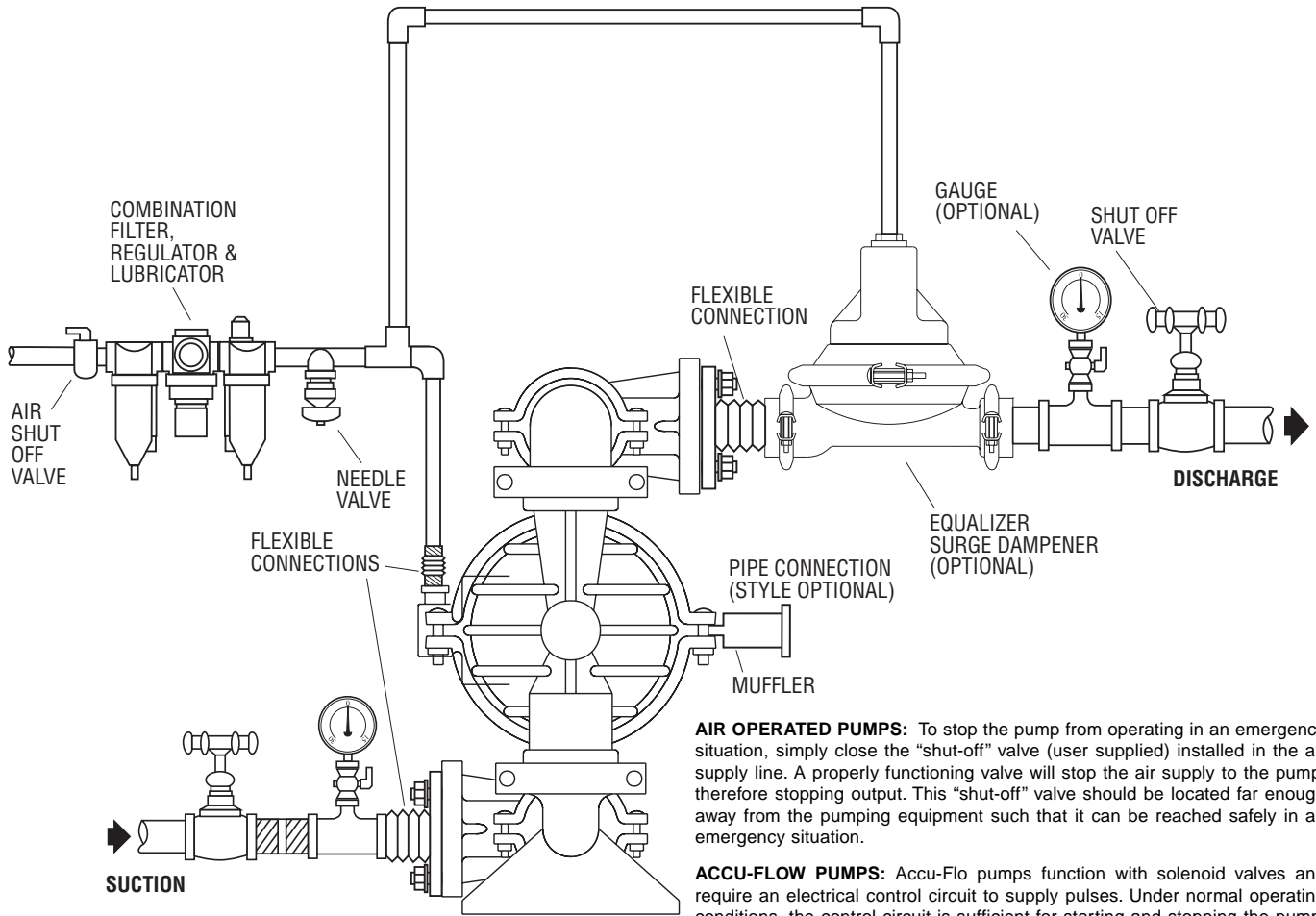
THE MODEL T4 WILL PASS 4.8 mm (3/16") SOLIDS. WHENEVER THE POSSIBILITY EXISTS THAT LARGER SOLID OBJECTS MAY BE SUCKED INTO THE PUMP, A STRAINER SHOULD BE USED ON THE SUCTION LINE.

CAUTION: DO NOT EXCEED 8.6 BAR (125 PSIG) AIR SUPPLY PRESSURE.

PUMPS SHOULD BE THOROUGHLY FLUSHED WITH WATER BEFORE INSTALLING INTO PROCESS LINES. FDA AND USDA PUMPS SHOULD BE CLEANED AND/OR SANITIZED BEFORE USE ON EDIBLE PRODUCTS.

BLOW OUT AIR LINE FOR 10 TO 20 SECONDS BEFORE ATTACHING TO PUMP TO MAKE SURE ALL PIPE LINE DEBRIS IS CLEAR. ALWAYS USE AN IN-LINE AIR FILTER.

SUGGESTED INSTALLATION



NOTE: In the event of a power failure, the shutoff valve should be closed, if the restarting of the pump is not desirable once power is regained.

AIR OPERATED PUMPS: To stop the pump from operating in an emergency situation, simply close the "shut-off" valve (user supplied) installed in the air supply line. A properly functioning valve will stop the air supply to the pump, therefore stopping output. This "shut-off" valve should be located far enough away from the pumping equipment such that it can be reached safely in an emergency situation.

ACCU-FLOW PUMPS: Accu-Flo pumps function with solenoid valves and require an electrical control circuit to supply pulses. Under normal operating conditions, the control circuit is sufficient for starting and stopping the pump. However, the "shut-off" valve (user supplied) installed in the air supply line can be used to stop the pump if necessary. Therefore, it should be located far enough away from the pumping equipment such that it can be reached safely in an emergency situation.

SECTION 7B – AIR OPERATION

SUGGESTED OPERATION AND MAINTENANCE INSTRUCTIONS

OPERATION: Pump discharge rate can be controlled by limiting the volume and/or pressure of the air supply to the pump (preferred method). An air regulator is used to regulate air pressure. A needle valve is used to regulate volume. Pump discharge rate can also be controlled by throttling the pump discharge by partially closing a valve in the discharge line of the pump. This action increases friction loss which reduces flow rate. This is useful when the need exists to control the pump from a remote location. When the pump discharge pressure equals or exceeds the air supply pressure, the pump will stop; no bypass or pressure relief valve is needed, and pump damage will not occur. The pump has reached a "deadhead" situation and can be restarted by reducing the fluid discharge pressure or increasing the air inlet pressure. The Wilden T4 pump runs solely on compressed air and does not generate heat, therefore your process fluid temperature will not be affected.

RECORDS: When service is required, a record should be made of all necessary repairs and replacements. Over a period of time, such records can become a valuable tool for predicting and preventing future maintenance problems and unscheduled downtime. In addition, accurate records make it possible to identify pumps that are poorly suited to their applications.

MAINTENANCE AND INSPECTIONS: Since each application is unique, maintenance schedules may be different for every pump. Frequency of use, line pressure, viscosity and abrasiveness of process fluid all affect the parts life of a Wilden pump. Periodic inspections have been found to offer the best means for preventing unscheduled pump downtime. Personnel familiar with the pump's construction and service should be informed of any abnormalities that are detected during operation.

SECTION 7C

OPERATING PRINCIPLES BEHIND ACCU-FLO™ PUMPS

In Accu-Flo™ pump models, the standard air valve is replaced with a two position, four-way solenoid valve that has a single operator and spring return. The valve is internally air piloted for longer coil and operator life.

When the solenoid is unpowered, one air chamber is pressurized with air, while the opposite chamber is exhausted. When electric power is applied, the solenoid shifts, and the pressurized air chamber is exhausted while the opposite chamber is pressurized. By alternately applying and removing power, the solenoid-operated pump runs like a standard Wilden pump.

The speed of the pump is controlled electrically. Since each stroke is controlled by an electrical signal, the pump is ideal for batching and other electrically controlled dispensing applications.

Although the speed of the pump is controlled electrically, the air pressure is important. Air pressure displaces the fluid, and if the pressure is insufficient to complete the physical stroke before an electronic impulse signals the pump to shift, the stroke will not be completed, and the displacement per stroke will be reduced. This does not harm the unit in any way, but it may cause inaccuracy when attempting to batch specific quantities with high precision if this effect is not taken into account.

There are three coil voltage options available. One coil allows for 24V DC operation. The second coil option allows for operation with either 12V DC or 24V AC at 60 Hz and the third coil option allows for 110V AC operation.

SECTION 7D

INSTALLATION – A4 PLASTIC ACCU-FLO™ PUMPS

Before installing your A4 Accu-Flo™ pump, review Section 7A for general installation suggestions including Location, Access, Air Supply, Elevation, and Piping.

The Accu-Flo™ Model A4 has a 3.81 cm (1½") inlet and 3.81 cm (1½") outlet and is designed for flows to 92.7 lpm (24.5 gpm). This maximum flow rate was calculated at 300 strokes per minute with 100 psig air inlet against 0 psig discharge head. The A4 Plastic pump is manufactured with wetted parts of polypropylene or PVDF. The center section of the A4 Plastic pump is of aluminum or polypropylene construction. A variety of diaphragms, valve balls, and O-rings are available to satisfy temperature, chemical compatibility, abrasion and flex concerns.

All wiring used to operate the pump should be placed and connected according to the proper electrical codes. It is important that the wiring is of adequate gauge to carry the current required to operate the pump. In addition, it is necessary that the electrical power supply is large enough to supply the current required to operate the pump. Wiring should be above ground level if possible (in case of fluid spill or leakage), and all wiring and connections which could become wet or damp should be made watertight.

If the pump is to be used in a self-priming application, be sure that all connections are airtight and that the suction lift is within the pump's ability. Note: Materials of construction and elastomer material have an effect on suction lift parameters. Please refer to pump performance data.

Pumps in service with a positive suction head are most efficient when inlet pressure is limited to .5–.7 Bar (7–10 psig). Premature diaphragm failure may occur if positive suction head is .8 Bar (11 psig) and higher.

The solenoid valve is rated for continuous duty; however, stopping on an even number stroke count insures that the electrical power is off when pump is stopped. This practice is safer and also eliminates unwanted strokes when the system is shut down and electrical power is off.

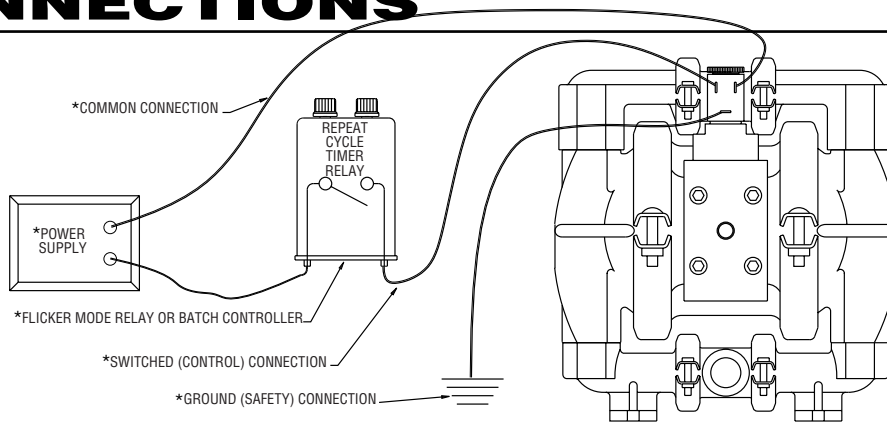
THE MODEL A4 WILL PASS 4.8 mm (3/16") SOLIDS. WHENEVER THE POSSIBILITY EXISTS THAT LARGER SOLID OBJECTS MAY BE SUCKED INTO THE PUMP, A STRAINER SHOULD BE USED ON THE SUCTION LINE.

WARNING: Before installation, consult chart in Section 10B (page 30) to ensure proper electrical connection.

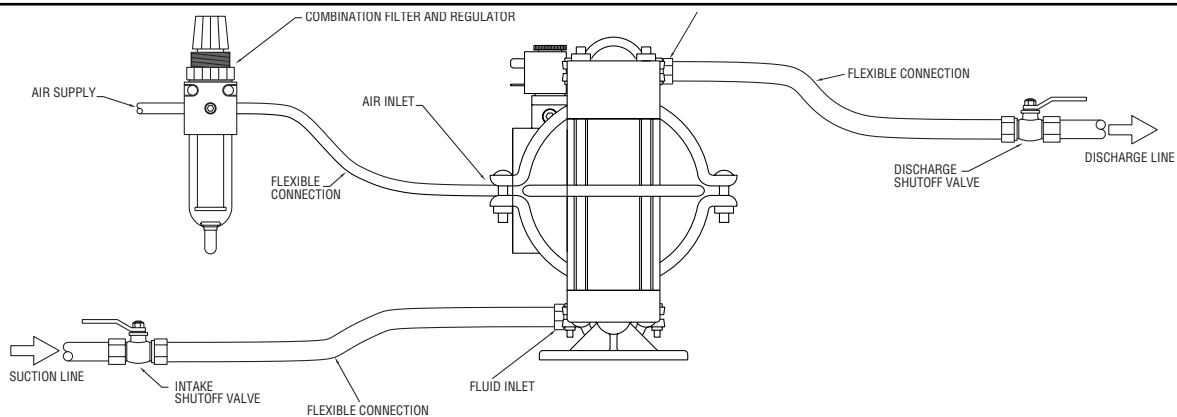
WARNING: The solenoid valve should not be used in an area where explosion proof equipment is required unless NEMA 7 valve is specified.

There are three coil options available in both NEMA 4 and NEMA 7 ratings. One coil allows for 110V AC operation, one allows for 24V DC operation, and the third allows for either 24V AC or 12V DC operation. See Section 10B for options and part numbers.

ACCU-FLO™ ELECTRICAL CONNECTIONS



ACCU-FLO™ PLUMBING CONNECTIONS



SECTION 7E – ACCU-FLO™

SUGGESTED OPERATION AND MAINTENANCE INSTRUCTIONS

OPERATION: The speed of the pump is controlled electrically. Since each stroke is controlled by an electrical signal, the pump is ideal for batching and other electrically controlled dispensing applications.

Although the speed of the pump is controlled electrically, the air pressure is important. Air pressure displaces the fluid, and if the pressure is insufficient to complete the physical stroke before an electronic impulse signals the pump to shift, the stroke will not be completed, and the displacement per stroke will be reduced. This does not harm the unit in any way, but it may cause inaccuracy when attempting to batch specific quantities with high precision.

The solenoid operated pump is permanently lubricated during assembly, and requires no additional lubrication under normal operation. If the unit runs under extreme conditions (continuous operation at high speeds), it may be necessary to relubricate the center block with a **Buna-N® compatible NLGI Grade 2 grease** every 50 million cycles. Continuous lubrication with a compatible oil is not harmful, and will provide longer seal life, but it may flush all grease out of the unit.

A red button on the side of the air valve is a manual override; when actuated it will shift the valve as if an electric current had actuated the solenoid.

RECORDS: When service is required, a record should be made of all necessary repairs and replacements. Over a period of time, such records can become a valuable tool for predicting and preventing future maintenance problems and unscheduled downtime. In addition, accurate records make it possible to identify pumps that are poorly suited to their applications.

MAINTENANCE AND INSPECTIONS: Since each application is unique, maintenance schedules may be different for every pump. Frequency of use, line pressure, viscosity and abrasiveness of process fluid all affect the parts life of a Wilden pump. Periodic inspections have been found to offer the best means for preventing unscheduled pump downtime. Personnel familiar with the pump's construction and service should be informed of any abnormalities that are detected during operation. Internal maintenance is not recommended for Accu-Flo™ solenoid air valves. When worn or damaged, a new air valve body, coil or terminal connector must be purchased. Please consult section 9C for part numbers

SECTION 7F – AIR-CONTROLLED TROUBLESHOOTING

Pump will not run or runs slowly.

1. Check air inlet screen and air filter for debris.
2. Check for sticking air valve, flush air valve in solvent.
3. Check for worn out air valve. If piston face in air valve is shiny instead of dull, air valve is probably worn beyond working tolerances and must be replaced.
4. Check center block Glyd™ rings. If worn excessively, they will not seal and air will simply flow through pump and out air exhaust. Use only Wilden Glyd™ rings as they are of special construction.
5. Check for rotating piston in air valve.
6. Check type of lubricant being used. A higher viscosity oil than suggested may cause the piston to stick or run erratically. Wilden suggests the use of an oil with arctic characteristics (ISO 15-5 wt.).

Pump runs but little or no product flows.

1. Check for pump cavitation; slow pump speed down to match thickness of material being pumped.
2. Check for sticking ball check valves. If material being pumped is not compatible with pump elastomers, swelling may

occur. Replace ball check valves and O-rings with the proper elastomers.

3. Check to make sure all suction connections are air tight, especially clamp bands around intake balls.

Pump air valve freezes.

Check for excessive moisture in compressed air. Either install dryer or hot air generator for compressed air.

Air bubbles in pump discharge.

1. Check for ruptured diaphragm.
2. Check tightness of clamp bands, especially at intake manifold.

Product comes out air exhaust.

1. Check for diaphragm rupture.
2. Check tightness of piston plates to shaft.

Pump rattles.

1. See E9 Troubleshooting Guide.
2. Create false discharge head or suction lift.

SECTION 7G – ACCU-FLO™ TROUBLESHOOTING

Pump will not run.

1. Check for pressurized air at the inlet. (Min. 3.1 Bar [45 psig].)
2. Check air inlet and filter for debris.
3. Connect a test lamp to the two wires which run to pump and ensure that the lamp cycles on and off.
4. Make sure that the air valve manual override (small red knob on front of valve) is switched to the "0" position.
5. Check pilot pressure vent at the top of the operator/coil assembly to ensure that it is not clogged.
6. Check for a worn out air valve. If air continually blows out the exhaust in very large quantities, the air valve seals may be worn beyond their ability to function. In this case, the valve must be replaced.

NOTE: Before the valve is scrapped, it is possible that it may be saved by completely disassembling the valve, cleaning all components and relubricating the valve.

Pump runs but little or no fluid comes out.

1. Check that the discharge isolation valve is not closed.
2. Check that the electronic signal is slow enough that the pump is able to complete each physical stroke before it is signaled to change direction. The time required to complete the stroke is determined by a variety of factors which include fluid viscosity and head pressure. The shaft can be viewed if the muffler is removed to verify that the pump is stroking.
3. Check for pump cavitation; slow pump speed down to match the thickness of the material being pumped.
4. Check for sticking ball check valves. If the material being pumped is not compatible with the pump elastomers, swelling may occur. Replace ball check valves and O-ring with the proper elastomers.
5. Check to make sure that all suction connections are air tight, and that the clamp bands are properly tightened.

Pump air passages blocked with ice.

Check for excessive moisture in compressed air line. As the air expands out the exhaust during the operation of the pump,

water vapor entrapped in the compressed air can freeze and block the air passageways in the pump. If this occurs, it may be necessary to install a coalescing filter, an air dryer, or a hot air generator for the compressed air.

Air bubbles in pump discharge.

1. Check for ruptured diaphragm.
2. Check tightness of clamp bands, and the integrity of the O-rings, especially at intake manifold.

Product comes out air exhaust.

1. Check for diaphragm rupture.
2. Check tightness of piston plates to shaft.

Pump rattles.

1. See E9 Troubleshooting Guide.
2. Create false discharge head or suction lift.

Solenoid buzzes or solenoid burnout.

1. Incorrect voltage, faulty or dirty solenoid.

Solenoid valve fails to shift electrically but shifts with manual override.

1. Incorrect voltage, defective coil or wiring.

Solenoid valve fails to shift electrically or with manual override.

1. Inadequate air supply, contamination, inadequate or improper lubrication, mechanical binding in the valve.

Valve shifts but fails to return.

1. Broken spring, mechanical binding.

Excessive leaking from air valve vent.

1. Worn seals in air valve.

SECTION 8A

MODEL T4 PLASTIC DIRECTIONS FOR DISASSEMBLY/REASSEMBLY

CAUTION: Before any maintenance or repair is attempted, the compressed air line to the pump should be disconnected and all air pressure allowed to bleed from the pump. Disconnect all intake, discharge, and air lines. Drain the pump by turning it upside down and allowing any fluid to flow into a suitable container. Be aware of any hazardous effects of contact with your process fluid.

The Wilden model T4 has a 3.81 cm (1½") inlet and outlet and is designed for flows up to 306.6 lpm (81 gpm). The model T4 plastic is available in polypropylene, PVDF, or Teflon® PFA wetted parts. The air valve is manufactured of brass, Teflon®-coated brass, nickel-plated brass or Stainless Steel. All O-rings used in the pump are of a special material and shore hardness which should only be replaced with factory-supplied parts.

TOOLS REQUIRED:

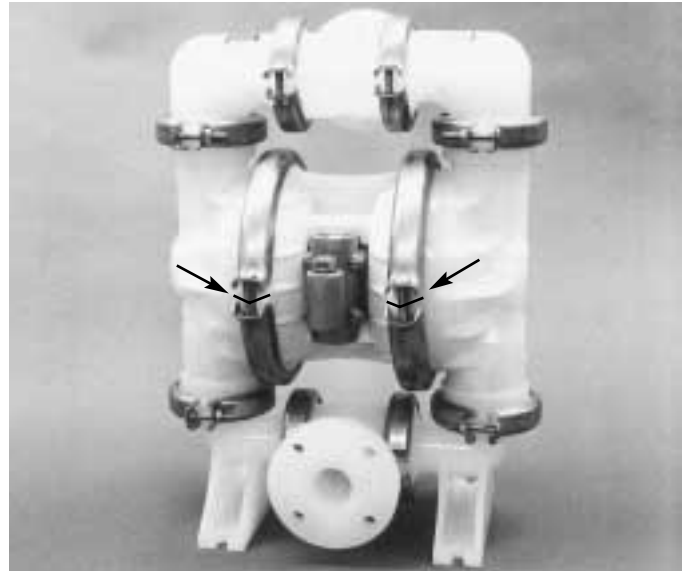
½" Wrench

⅜" Allen Wrench

Adjustable Wrench

Vise equipped with soft jaws (such as plywood, plastic or other suitable material)

NOTE: The model used for these instructions incorporates rubber diaphragms, balls, and seats. Models with Teflon® diaphragms, balls and seats are the same except where noted. The procedures for A4 Accu-Flo™ pumps are the same except for the air distribution system.



DISASSEMBLY:

Figure 1

Step 1.

Before starting disassembly, mark a line from each liquid chamber to its corresponding air chamber. This line will assist in proper alignment during reassembly. (Figure 1)



Step 2.

Figure 2

Utilizing a ½" wrench, remove the two small clamp bands that fasten the discharge manifold to the liquid chambers. (Figure 2)



Step 3.

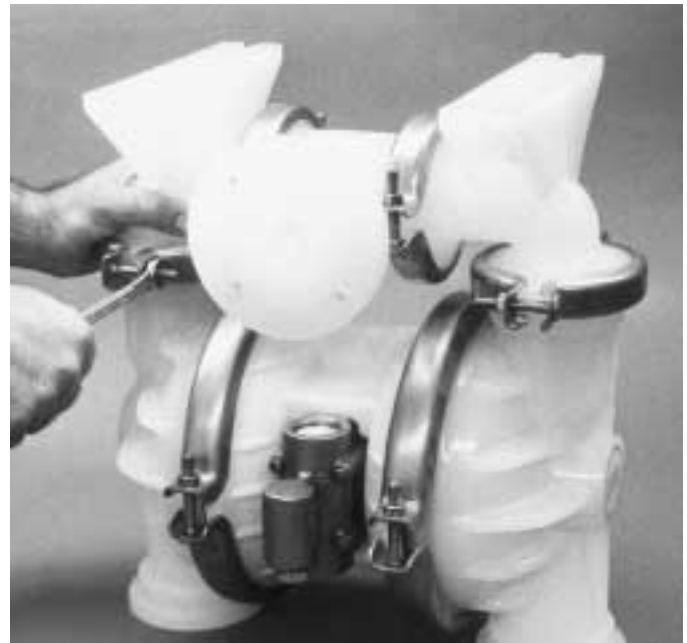
Figure 3

Lift away the discharge manifold to expose the valve balls and seats. (Figure 3)



Step 4. *Figure 4*

Remove the discharge valve balls, O-rings and seats (*Figure 4*) from the liquid chambers and inspect for nicks, gouges, chemical attack or abrasive wear. Replace worn parts with genuine Wilden parts for reliable performance.



Step 5. *Figure 5*

Remove the two small clamp bands which fasten the intake manifold to the liquid chambers. (*Figure 5*)



Step 6. *Figure 6*

Lift liquid chambers and center section from intake manifold to expose intake valve balls and seats. (*Figure 6*)



Step 7. *Figure 7*

Remove the discharge valve balls, O-rings and seats (*Figure 7*) from the liquid chambers and inspect for nicks, gouges, chemical attack or abrasive wear. Replace worn parts with genuine Wilden parts for reliable performance.



Step 8. *Figure 8*

Normally inlet and discharge manifolds should not be disassembled during regular pump maintenance. Should this be necessary, completely remove clamp bands and inspect O-rings for nicks, cuts and chemical attack. (*Figure 8*)



Step 9. *Figure 9*

Remove one set of large clamp bands, which secure one liquid chamber to the center section. (*Figure 9*)



Step 10. *Figure 10*

Lift liquid chamber away from center section to expose diaphragm and outer piston. (*Figure 10*)



Step 11. *Figure 11*

Using an adjustable wrench, or by rotating the diaphragm by hand, remove the diaphragm assembly. (*Figure 11*)



Step 12. *Figure 12*



Figure 13



Step 13. *Figure 14*

NOTE: Due to varying torque values, one of the following two situations may occur: 1) The outer piston, diaphragm and inner piston remain attached to the shaft and the entire assembly can be removed from the center section (*Figure 12*). 2) The outer piston, diaphragm and inner piston separate from the shaft which remains connected to the opposite side diaphragm assembly (*Figure 13*). Repeat disassembly instructions for the opposite liquid chamber. Inspect diaphragm assembly and shaft for signs of wear or chemical attack. Replace all worn parts with genuine Wilden parts for reliable performance.

To remove diaphragm assembly from shaft, secure shaft with soft jaws (a vise fitted with plywood or other suitable material) to ensure shaft is not nicked, scratched, or gouged. Using an adjustable wrench or by hand, remove diaphragm assembly from shaft. Inspect all parts for wear and replace with genuine Wilden parts if necessary. (*Figure 14*)

SECTION 8B

AIR VALVE / CENTER BLOCK DISASSEMBLY

The air valve assembly consists of both the air valve body and piston and the center block. The unique design of the air valve relies only on differential pressure to effect the diaphragm shift. It is reliable and simple to maintain. The bushing in the center block, along with the diaphragm shaft, provides the "trigger" to tell the air valve to shift. The following procedure will ensure that the air valve on your Wilden pump will provide long trouble-free service.

AIR VALVE DISASSEMBLY:

The air valve (P/N 04-2000-07) can be disconnected from the pump by removing the four socket head cap screws which attach it to the center block. The piston should move freely and the ports in the piston should line up with the ports on the face of the air valve body (see *Figure D*). The piston should also appear to be dull, dark gray in color. If the piston appears to be a shiny aluminum color, the air valve is probably worn beyond working tolerances and should be replaced.

CENTER
BLOCK

AIR VALVE
BODY

STRIPPING P/U 45343

AIR VALVE ASSEMBLY

Figure A

If the piston does not move freely in the air valve, the entire air valve should be immersed in a cleaning solution. [**NOTE:** Do not force the piston by inserting a metal object.] This soaking should remove any accumulation of sludge and grit which is preventing the air valve piston from moving freely. Also, remove and clean the air valve screen (P/N 04-2500-03). If the air valve piston does not move freely after the above cleaning, the air valve should be disassembled as follows: Remove the snap ring from the top end of the air valve cylinder and apply an air jet to the 3/16-inch hole on the opposite end of the air valve face (see *Figure C*). **CAUTION:** The air valve end cap may come out with considerable force. Inspect the piston and cylinder bore for nicks and scoring.

AIR INLET
AIR FILTER
SCREEN
AIR VALVE
PISTON
CENTER BLOCK
BUSHING

STRIPPING P/U 45343

STRIPPING P/U 45343

END CAP

Figure C

Figure B

STRIPPING P/U 45343

Figure D

Small nicks can usually be dressed out and the piston returned to service. Inspect the cylinder end caps (P/N 04-2300-23 has the piston guide pin and P/N 04-2330-23 does not.) Make sure that the guide pin is straight and smooth or the piston will not move freely in the cylinder. Inspect the anti-centering pin holes found at the ends of the air valve piston and ensure they are free of debris. New O-rings (P/N 04-2390-52) should be installed on the end caps. Lubricate the O-rings with an arctic 5 weight hydraulic oil (ISO grade 15) and install the end caps, assuring that proper alignment of the piston and cylinder ports is maintained (see *Figure D*). Reinstall air valve to center block of pump. Tighten per the torque specification*.



Figure F (Side View)

GLYD™ RING REPLACEMENT:

When the Glyd™ rings become worn, they will no longer seal and must be replaced. Due to the design characteristics of the Glyd™ rings, it is suggested that you use the ringer seal installation kit when replacing Glyd™ rings. Consult EOM-Ringer for installation instructions.

CENTER BLOCK ASSEMBLY (P/N 04-3100-01):

The pump's center block (P/N 04-3100-01) consists of a die cast housing with a cast-in-bronze bushing (*Figure G*). *Figure H* shows T4 injection-molded polypropylene center section (P/N 04-3150-20) and alignment with air valve. The bushing has eleven grooves cut on the inside diameter. There are seven Glyd™ rings (P/N 08-3210-55-225) that fit in these grooves (see *Figure E*). Since these Glyd™ rings form a part of the shifting function of the pump, it is necessary that they be located in the proper grooves. The bronze bushing is replaceable in cast iron center block only. When bushing wear becomes excessive, a new center block must be used.

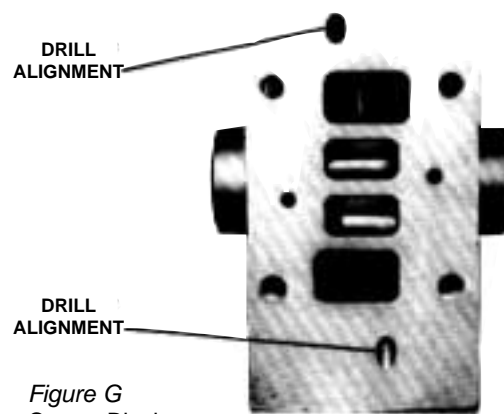


Figure G
Center Block
(Front View)

Grooves In
Bushing Which
Contain Glyd™ Rings

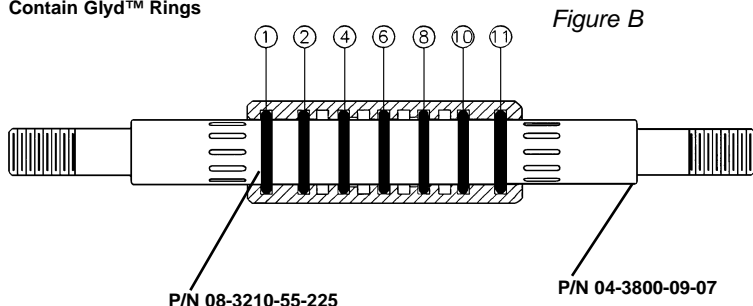


Figure E

Figure B

P/U from #71477 EOM M4P
Page 19 Same Figure

Figure H

*Refer to Section 8D (page 21) for torque specifications.

SECTION 8C

REASSEMBLY HINTS & TIPS

ASSEMBLY:

Upon performing applicable maintenance to the air distribution system, the pump can now be reassembled. Please refer to the disassembly instructions for photos and parts placement. To reassemble the pump, follow the disassembly instructions in reverse order. The air distribution system needs to be assembled first, then the diaphragms and finally the wetted path. Please find the applicable torque specifications on this page. The following tips will assist in the assembly process.

- Clean the inside of the center section shaft bushing to ensure no damage is done to new seals.
- Stainless bolts should be lubed to reduce the possibility of seizing during tightening.
- Ensure proper alignment on the sealing surfaces of intake and discharge manifolds.
- Liquid chambers are easier to attach when the diaphragm is inverted. Prior to attaching the second water chamber, push diaphragm assembly so that it is as close as possible to the center section.
- PVDF and PFA pumps require Teflon® gasket kits for improved sealing. Gasket kits may be installed on other pumps where sealing is an issue.
- When assembling Teflon®-coated hardware, care should be taken to keep the coating intact.
- When installing Glyd™ rings, the use of the Wilden Ringer tool simplifies seal installation.

MAXIMUM TORQUE SPECIFICATIONS

Description of Part	Plastic Pumps
Air Valve	3.4 m-N [30 in.-lbs.]
Outer Piston	51.5 m-N [38 ft.-lbs.]
Small Clamp Band	9.6 m-N [85 in.-lbs.]
Large Clamp Band (Rubber-fitted)	18.6 m-N [165 in.-lbs.]
Large Clamp Band (Teflon®-fitted)	18.6 m-N [165 in.-lbs.]

SECTION 8D

GASKET KIT INSTALLATION

Only Teflon®-fitted T4 PVDF and Teflon® PFA pumps come standard with expanded Teflon® Gasket Kits (P/N 04-9501-99). Carefully prepare sealing surfaces by removing all debris and foreign

matter from diaphragm bead and all mating surfaces. If necessary, smooth or deburr all sealing surfaces. Mating surfaces must be properly aligned in order to ensure positive sealing characteristics.



Step 1. *Figure 1*

Gently remove the adhesive covering from the back of the Teflon® tape. Ensure that the adhesive strip remains attached to the Teflon® tape.



Step 2. *Figure 2*

Starting at any point, place the Teflon® tape in the center of the diaphragm bead groove on the liquid chamber and press lightly on the tape to ensure that the adhesive holds it in place during assembly. Do not stretch the tape during placement in center of diaphragm bead groove.



Step 3. *Figure 3*

The ends of the tape should overlap approximately 1.27 cm ($\frac{1}{2}$ ") (*Figure 3*). Proceed to install the Teflon® tape on the remaining liquid chamber.



Step 4. *Figure 4*

Carefully remove the protective covering from the back of the Teflon® gasket attached to tape. (*Figure 4*)



Step 5. *Figure 5*

Install the valve ball, valve seat and O-ring. (*Figure 5*)



Step 6. *Figure 6*

Center the gasket so that it evenly covers the O-ring and seat areas. (*Figure 6*)



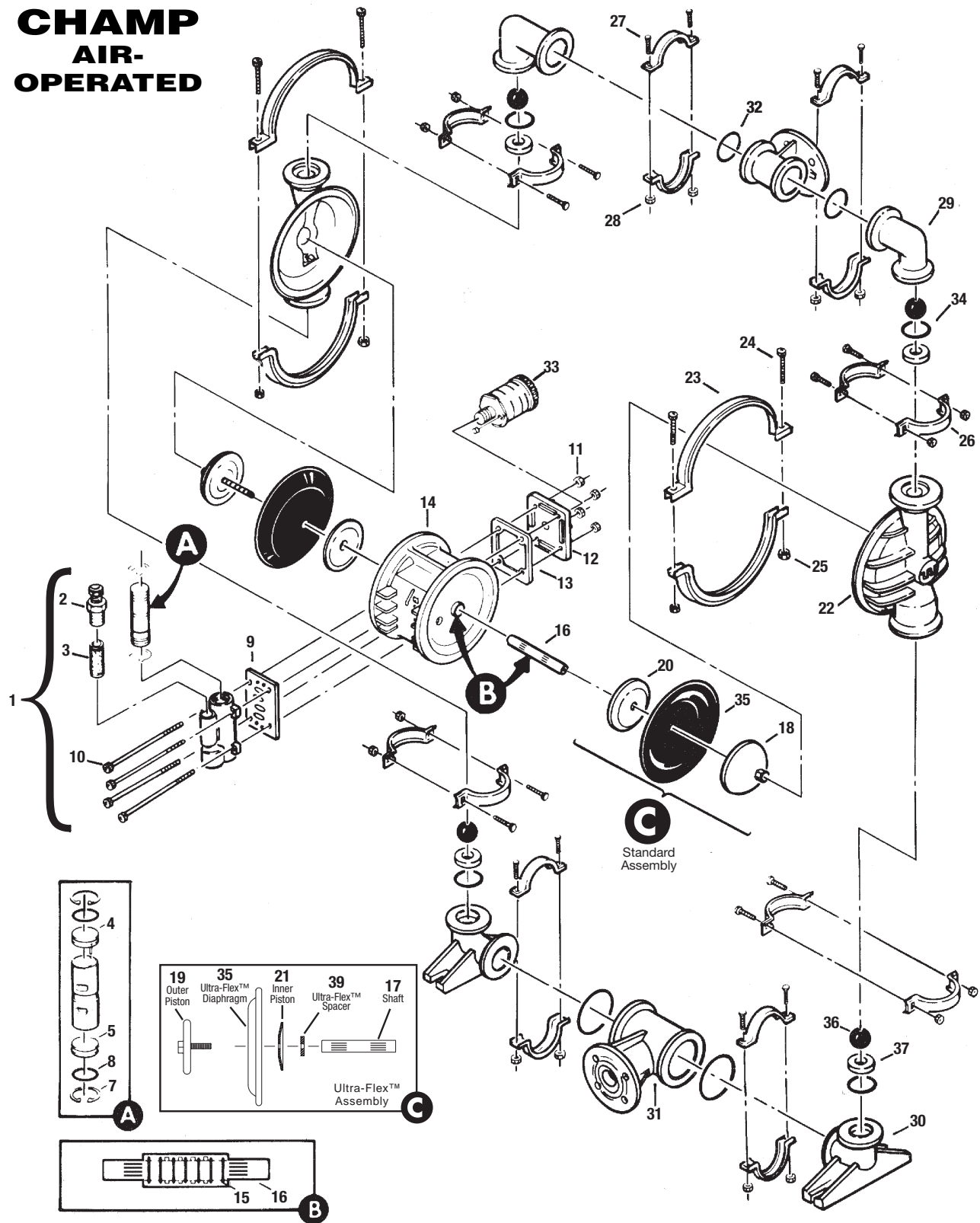
Step 7. *Figure 7*

Gently apply pressure to gasket to ensure the adhesive maintains a positive seal to stay in place during pump assembly. (*Figure 7*)

SECTION 9A

EXPLODED VIEW/PARTS LISTING

T4 PLASTIC CHAMP AIR- OPERATED



WILDEN MODEL T4 PLASTIC RUBBER-FITTED

	Part Description	Qty. Per Pump	Rubber-Fitted			
			T4/ PPPBB	T4/ KPPB	T4/ PPPC-502	T4/ KPPC-502
			P/N	P/N	P/N	P/N
1	Air Valve Assembly¹	1	04-2000-07	04-2000-07	04-2000-05	04-2000-05
2	Air Valve Bushing ½" x ⅝" (Optional)	1	04-6950-07	04-6950-07	04-6950-05	04-6950-05
3	Air Valve Screen	1	04-2500-07	04-2500-07	04-2500-07	04-2500-07
4	Air Valve with Guide (Top)	1	04-2300-23	04-2300-23	04-2300-23	04-2300-23
5	Air Valve Cap without End Guide (Bottom)	1	04-2330-23	04-2330-23	04-2330-23	04-2330-23
6	End Cap Cover (Not shown) ²	2	N/A	N/A	04-2420-55	04-2420-55
7	Air Valve Snap Ring	2	04-2650-03	04-2650-03	04-2650-03	04-2650-03
8	Air Valve Cap O-Ring	2	04-2390-52	04-2390-52	04-2390-52	04-2390-52
9	Air Valve Gasket — Buna-N [®]	1	04-2600-52	04-2600-52	04-2600-52	04-2600-52
10	Air Valve Cap Screw ¼"-20 x 6⅞"	4	04-6000-03-500	04-6000-03-500	04-6000-05-500	04-6000-05-500
11	Air Valve Hex Nut ¼"-20	4	04-6400-03	04-6400-03	04-6400-05	04-6400-05
12	Muffler Plate	1	04-3180-20	04-3180-20	04-3180-20	04-3180-20
13	Muffler Plate Gasket — Buna-N [®]	1	04-3500-52	04-3500-52	04-3500-52	04-3500-52
14	Center Section	1	04-3150-20-225	04-3150-20-225	04-3150-20-225	04-3150-20-225
15	Center Section Glyd™ Ring	7	08-3210-55-225	08-3210-55-225	08-3210-55-225	08-3210-55-225
16	Shaft	1	04-3800-09-07	04-3800-09-07	04-3800-09-07	04-3800-09-07
17	Shaft, Ultra-Flex™	1	04-3830-09-700	04-3830-09-700	04-3830-09-700	04-3830-09-700
18	Piston, Outer	2	04-4550-20-500	04-4550-21-500	04-4550-20-500	04-4550-21-500
19	Piston, Outer, Ultra-Flex™	2	04-4560-21	04-4560-21	04-4560-21	04-4560-21
20	Piston, Inner	2	04-3700-08	04-3700-08	04-3700-08	04-3700-08
21	Piston, Inner, Ultra-Flex™	2	04-3760-01-700	04-3760-01-700	04-3760-01-700	04-3760-01-700
22	Liquid Chamber	2	04-5000-20	04-5000-21	04-5000-20	04-5000-21
23	Large Clamp Band	2	04-7300-03-500	04-7300-03-500	04-7300-05-500	04-7300-05-500
24	Large Carriage Bolt ⅝"-18 x 2¼"	4	04-6070-03	04-6070-03	04-6070-05	04-6070-05
25	Hex Nut ⅝"-18	4	08-6400-03	08-6400-03	08-6400-05	08-6400-05
26	Small Clamp Band	8	04-7100-03-500	04-7100-03-500	04-7100-05-500	04-7100-05-500
27	Small Carriage Bolt ⅝"-18 x 1¼"	16	08-6050-03-500	08-6050-03-500	08-6050-05-500	08-6050-05-500
28	Hex Nut ⅝"-18	16	08-6400-03	08-6400-03	08-6400-05	08-6400-05
29	Discharge Elbow	2	04-5230-20	04-5230-21	04-5230-20	04-5230-21
30	Inlet Elbow	2	04-5220-20	04-5220-21	04-5220-20	04-5220-21
31	Manifold Tee Section ³	2	04-5160-20	04-5160-21	04-5160-20	04-5160-21
32	Tee-Section O-Ring	4	*	*	*	*
33	Muffler (Consult factory)	1	04-3510-99	04-3510-99	04-3510-99	04-3510-99
34	Valve Seat O-Ring	4	*	*	*	*
35	Diaphragm	2	*	*	*	*
36	Valve Ball	4	*	*	*	*
37	Valve Seat	4	04-1120-20-500	04-1120-21-500	04-1120-20-500	04-1120-21-500
38	Teflon® Gasket Kit (Not shown)	1	N/R	N/R	N/R	N/R
39	Spacer, Ultra-Flex™	2	04-3860-08	04-3860-08	04-3860-08	04-3860-08

¹Air Valve Assembly includes items 2 through 8.

²End Cap Cover (P/N 04-2420-55) requires End Cap Bolt (P/N 04-2450-22).

³Metric Flange: Polypropylene = 04-5160-20-504 PVDF = 04-5160-21-504

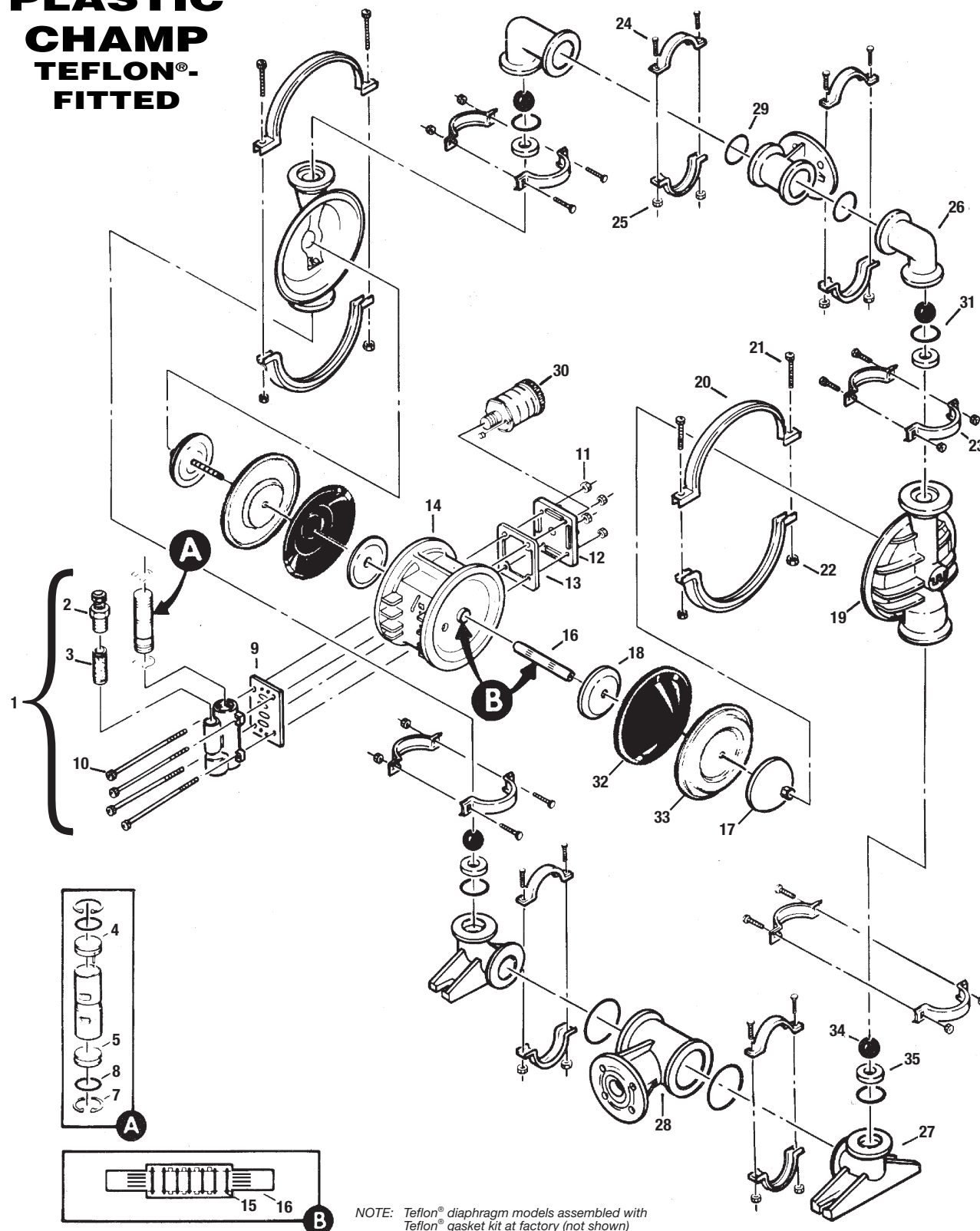
-502 Specialty Code = PFA-Coated Hardware

All boldface items are primary wear parts.

SECTION 9B

EXPLODED VIEW/PARTS LISTING

T4 PLASTIC CHAMP TEFLON®- FITTED



WILDEN MODEL T4 PLASTIC TEFLON® AND ULTRAPURE-FITTED

	Part Description	Qty. Per Pump	Teflon®-Fitted				Ultrapure			
			T4/ PPPB P/N	T4/ KPPB P/N	T4/ PPPC-502 P/N	T4/ KPPC P/N	T4/ TPPB P/N	T4/ TPPC-502 P/N	T4/ TPPB-622 P/N	T4/ TPPC-612 P/N
1	Air Valve Assembly¹	1	04-2000-07	04-2000-07	04-2000-05	04-2000-05	04-2000-07	04-2000-05	04-2000-07	04-2000-05
2	Air Valve Bushing ½" x ⅝" (optional)	1	04-6950-07	04-6950-07	04-6950-05	04-6950-05	04-6950-07	04-6950-05	04-6950-07	04-6950-05
3	Air Valve Screen	1	04-2500-07	04-2500-07	04-2500-07	04-2500-07	04-2500-07	04-2500-07	04-2500-07	04-2500-07
4	Air Valve with Guide (Top)	1	04-2300-23	04-2300-23	04-2300-23	04-2300-23	04-2300-23	04-2300-23	04-2300-23	04-2300-23
5	Air Valve Cap without End Guide (Bottom)	1	04-2330-23	04-2330-23	04-2330-23	04-2330-23	04-2330-23	04-2330-23	04-2330-23	04-2330-23
6	End Cap Cover (Not shown) ²	2	N/A	N/A	04-2420-55	04-2420-55	N/R	04-2420-55	N/R	04-2420-55
7	Air Valve Snap Ring	2	04-2650-03	04-2650-03	04-2650-03	04-2650-03	04-2650-03	04-2650-03	04-2650-03	04-2650-03
8	Air Valve Cap O-Ring	2	04-2390-52	04-2390-52	04-2390-52	04-2390-52	04-2390-52	04-2390-52	04-2390-52	04-2390-52
9	Air Valve Gasket — Buna-N®	1	04-2600-52	04-2600-52	04-2600-52	04-2600-52	04-2600-55	04-2600-55	04-2600-55	04-2600-55
10	Air Valve Cap Screw ⅜"-20 x 6⅞"	4	04-6000-03-500	04-6000-03-500	04-6000-05-500	04-6000-05-500	04-6000-03-500	04-6000-05-500	04-6000-03-500	04-6000-05-500
11	Air Valve Hex Nut ⅜"-20	4	04-6400-03	04-6400-03	04-6400-05	04-6400-05	04-6400-03	04-6400-05	04-6400-03	04-6400-05
12	Muffler Plate	1	04-3180-20	04-3180-20	04-3180-20	04-3180-20	04-3180-20	04-3180-20	04-3180-20	04-3180-20
13	Muffler Plate Gasket — Buna-N®	1	04-3500-52	04-3500-52	04-3500-52	04-3500-52	04-3500-55	04-3500-55	04-3500-55	04-3500-55
14	Center Section	1	04-3150-20-225	04-3150-20-225	04-3150-20-225	04-3150-20-225	04-3150-20-225	04-3150-20-225	04-3150-20-225	04-3150-20-225
15	Center Section Glyd™ Ring	7	08-3210-55-225	08-3210-55-225	08-3210-55-225	08-3210-55-225	08-3210-55-225	08-3210-55-225	08-3210-55-225	08-3210-55-225
16	Shaft	1	04-3820-09-07	04-3820-09-07	04-3820-09-07	04-3820-09-07	04-3820-09-07	04-3820-09-07	04-3820-09-07	04-3820-09-07
17	Piston, Outer	2	04-4600-20-500	04-4600-21-500	04-4600-20-500	04-4600-21-500	04-4600-22-500	04-4600-22-500	04-4600-22-500	04-4600-22-500
18	Piston, Inner	2	04-3750-01	04-3750-01	04-3750-01	04-3750-01	04-3750-01	04-3750-01	04-3750-01	04-3750-01
19	Liquid Chamber	2	04-5000-20	04-5000-21	04-5000-20	04-5000-21	04-5000-22	04-5000-22	04-5000-22	04-5000-22
20	Large Clamp Band	2	04-7300-03-500	04-7300-03-500	04-7300-05-500	04-7300-05-500	04-7300-03-500	04-7300-05-500	04-7300-03-500	04-7300-05-500
21	Large Carriage Bolt ⅝"-18 x 2¼"	4	04-6070-03	04-6070-03	04-6070-05	04-6070-05	04-6070-03	04-6070-05	04-6070-03	04-6070-05
22	Hex Nut ⅝"-18	4	08-6400-03	08-6400-03	08-6400-05	08-6400-05	08-6400-03	08-6400-05	08-6400-03	08-6400-05
23	Small Clamp Band	8	04-7100-03-500	04-7100-03-500	04-7100-05-500	04-7100-05-500	04-7100-03-500	04-7100-05-500	04-7100-03-500	04-7100-05-500
24	Small Carriage Bolt ⅝"-18 x 1¾"	16	08-6050-03-500	08-6050-03-500	08-6050-05-500	08-6050-05-500	08-6050-03-500	08-6050-05-500	08-6050-03-500	08-6050-05-500
25	Hex Nut ⅝"-18	16	08-6400-03	08-6400-03	08-6400-05	08-6400-05	08-6400-03	08-6400-05	08-6400-03	08-6400-05
26	Discharge Elbow	2	04-5230-20	04-5230-21	04-5230-20	04-5230-21	04-5230-22	04-5230-22	04-5230-22	04-5230-22
27	Inlet Elbow	2	04-5220-20	04-5220-21	04-5220-20	04-5220-21	04-5220-22	04-5220-22	04-5220-22	04-5220-22
28	Manifold Tee Section ³	2	04-5160-20	04-5160-21	04-5160-20	04-5160-21	04-5160-22	04-5160-22	04-5160-22-622	04-5160-22-622
29	Tee-Section O-Ring	4	04-1300-59-500	04-1300-60-500	04-1300-59-500	04-1300-60-500	04-1300-60-500	04-1300-60-500	04-1300-60-500	04-1300-60-500
30	Muffler (Consult factory)	1	04-3510-99	04-3510-99	04-3510-99	04-3510-99	04-3510-99	04-3510-99	04-3510-99	04-3510-99
31	Valve Seat O-Ring	4	04-1200-59-500	04-1200-60-500	04-1200-59-500	04-1200-60-500	04-1200-60-500	04-1200-60-500	04-1200-60-500	04-1200-60-500
32	Back-up Diaphragm*	2	04-1060-51	04-1060-51	04-1060-51	04-1060-51	04-1060-51	04-1060-51	04-1060-51	04-1060-51
33	Diaphragm	2	04-1010-55	04-1010-55	04-1010-55	04-1010-55	04-1010-55	04-1010-55	04-1010-55	04-1010-55
34	Valve Ball	4	04-1080-55	04-1080-55	04-1080-55	04-1080-55	04-1080-55	04-1080-55	04-1080-55	04-1080-55
35	Valve Seat	4	04-1120-20-500	04-1120-21-500	04-1120-20-500	04-1120-21-500	04-1120-22-500	04-1120-22-500	04-1120-22-500	04-1120-22-500
36	Teflon® Gasket Kit (Not shown)	1	04-9501-99	04-9501-99	04-9501-99	04-9501-99	04-9501-99	04-9501-99	04-9501-99	04-9501-99

*Back-up Diaphragm for Teflon®-fitted pump: P/N 04-1060-51. Sani-Flex™ Back-up Diaphragm, P/N 04-1060-56, is available upon request for Teflon®-fitted pumps. Please consult your local distributor.

¹Air Valve Assembly includes items 2 through 8.

²End Cap Cover (P/N 04-2420-55) requires End Cap Bolt (P/N 04-2450-22).

³Metric Flange: Polypropylene = 04-5160-20-504 PVDF = 04-5160-21-504

-502 Specialty Code = PFA-Coated Hardware

-612 Specialty Code = Ultrapure, Male Connection, PFA-Coated

-622 Specialty Code = Ultrapure w/Male Connection

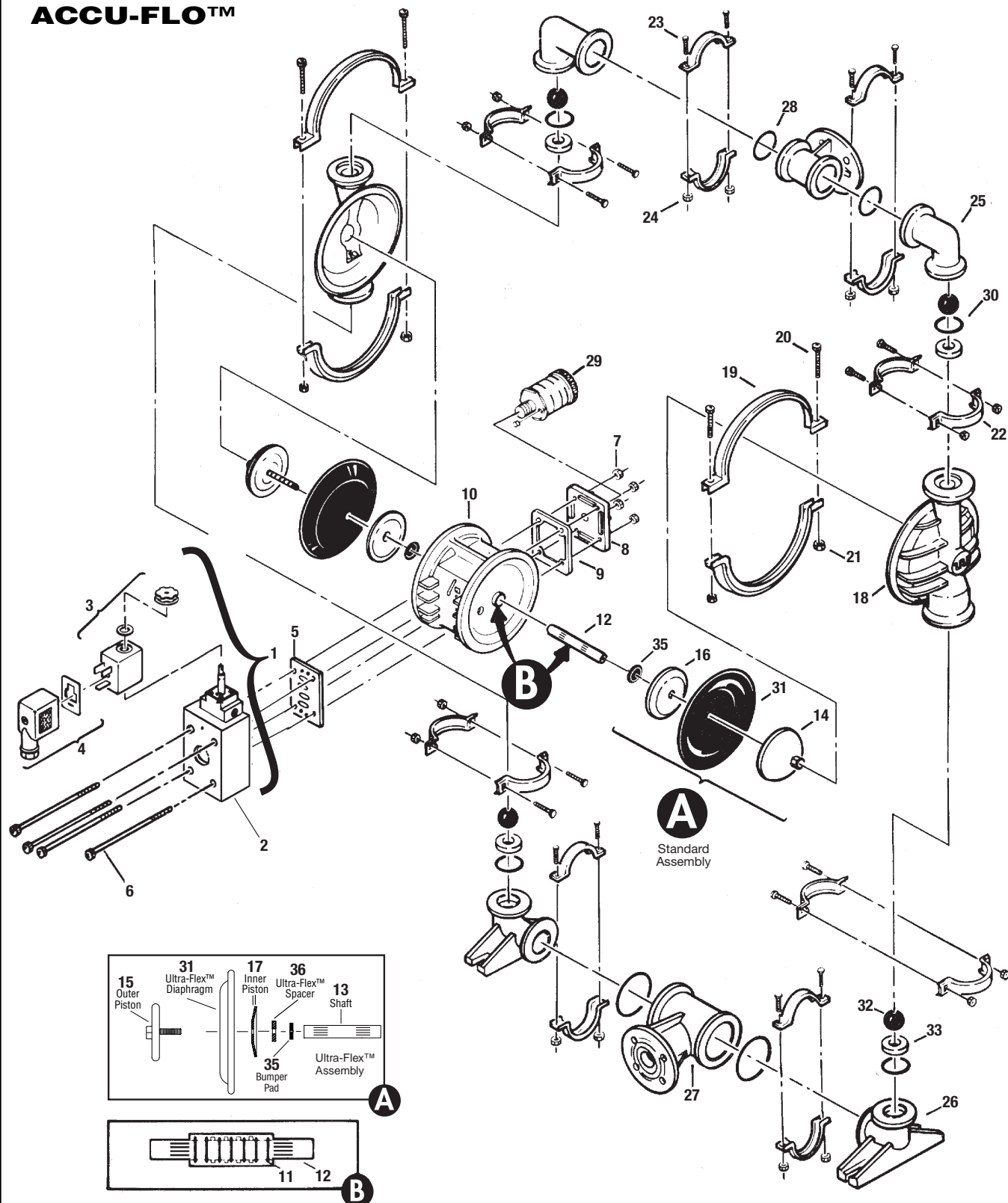
NOTE: Models M4/TPPB-622 and M4/TPPC-612 incorporate 1" male non-threaded inlet/discharge bondable connections.

All boldface items are primary wear parts.

SECTION 9C

EXPLODED VIEW/PARTS LISTING

A4 PLASTIC ACCU-FLO™



WILDEN MODEL A4 PLASTIC ACCU-FLO™

	Part Description	Qty. Per Pump	Rubber-Fitted		Teflon®-Fitted	
			A4/ PPPA-150 P/N	A4/ KPPA-150 P/N	A4/ PPPA-150 P/N	A4/ KPPA-150 P/N
1	Solenoid Valve Assembly	1	04-2000-99-150	04-2000-99-150	04-2000-99-150	04-2000-99-150
2	Main Valve Body	1	04-2000-01-150	04-2000-01-150	04-2000-01-150	04-2000-01-150
3	Coil	1	00-2110-99-150	00-2110-99-150	00-2110-99-150	00-2110-99-150
4	Terminal Connector	1	00-2130-99	00-2130-99	00-2130-99	00-2130-99
5	Air Valve Gasket — Buna-N®	1	04-2600-52	04-2600-52	04-2600-52	04-2600-52
6	Air Valve Screw	4	04-6000-08	04-6000-08	04-6000-08	04-6000-08
7	Air Valve Hex Nut ¼"-20	4	04-6400-03	04-6400-03	04-6400-03	04-6400-03
8	Muffler Plate	1	04-3180-20	04-3180-20	04-3180-20	04-3180-20
9	Muffler Plate Gasket — Buna-N®	1	04-3500-52	04-3500-52	04-3500-52	04-3500-52
10	Center Section	1	04-3150-20-225	04-3150-20-225	04-3150-20-225	04-3150-20-225
11	Center Section Glyd™ Ring	7	08-3210-55-255	08-3210-55-255	08-3210-55-255	08-3210-55-255
12	Shaft, Rubber/TPE	1	08-3840-09	08-3840-09	N/A	N/A
	Shaft, Teflon®	1	N/A	N/A	04-3825-09	04-3825-09
13	Shaft, Ultra-Flex™	1	04-3835-09	04-3835-09	N/A	N/A
14	Piston, Outer	2	04-4550-20-500	04-4550-21-500	04-4600-21-500	04-4600-21-500
15	Piston, Outer, Ultra-Flex™	2	04-4560-21	04-4560-21	N/A	N/A
16	Piston, Inner	2	04-3700-08	04-3700-08	04-3750-01	04-3750-01
17	Piston, Inner, Ultra-Flex™	2	04-3760-01-700	04-3760-01-700	N/A	N/A
18	Liquid Chamber	2	04-5000-20	04-5000-21	04-5000-20	04-5000-21
19	Large Clamp Band	2	04-7300-03-500	04-7300-03-500	04-7300-03-500	04-7300-03-500
20	Large Carriage Bolt ⅝"-18 x 2¼"	4	04-6070-03	04-6070-03	04-6070-03	04-6070-03
21	Hex Nut ⅝"-18	4	08-6400-03	08-6400-03	08-6400-03	08-6400-03
22	Small Clamp Band	8	04-7100-03-500	04-7100-03-500	04-7100-03-500	04-7100-03-500
23	Small Carriage Bolt ⅝"-18 x 1¼"	16	08-6050-03-500	08-6050-03-500	08-6050-03-500	08-6050-03-500
24	Hex Nut ⅝"-18	16	08-6400-03	08-6400-03	08-6400-03	08-6400-03
25	Discharge Elbow	2	04-5230-20	04-5230-21	04-5230-20	04-5230-21
26	Inlet Elbow	2	04-5220-20	04-5220-21	04-5220-20	04-5220-21
27	Manifold Tee Section ³	2	04-5160-20	04-5160-21	04-5160-20	04-5160-21
28	Tee-Section O-Ring	4	*	*	04-1300-60-500	04-1300-60-500
29	Muffler (Consult factory)	1	04-3510-99	04-3510-99	04-3510-99	04-3510-99
30	Valve Seat O-Ring	4	*	*	04-1200-60-500	04-1200-60-500
31	Diaphragm	2	*	*	04-1010-55	04-1010-55
32	Valve Ball	4	*	*	04-1080-55	04-1080-55
33	Valve Seat	4	04-1120-20-500	04-1120-21-500	04-1120-20-500	04-1120-21-500
34	Teflon® Gasket Kit (Not shown)	1	N/R	N/R	04-9501-99	04-9501-99
35	Bumper Pad	2	08-6900-23-50	08-6900-23-50	08-6900-23-50	08-6900-23-50
36	Spacer, Ultra-Flex™	2	04-3860-08	04-3860-08	04-3860-08	04-3860-08

¹Solenoid Valve Assembly includes items 2 through 4.

³Metric Flange: Polypropylene = 04-5160-20-504 PVDF = 04-5160-21-504

NOTE: Additional solenoid options are available. Please consult Section 10B (page 30) for further information.

-150 Specialty Code = Solenoid Operated, 24V DC

All boldface items are primary wear parts.

SECTION 10A – AIR-OPERATED ELASTOMER OPTIONS

T4 PLASTIC ELASTOMER OPTIONS

Material	Traditional Diaphragms (2)	Ultra-Flex™ Diaphragms (2)	Valve Balls (4)	Valve Seats (4)	Valve Seat* O-Rings (4)	T-Section O-Rings (4)
Neoprene	04-1010-51	04-1020-51	04-1080-51	N/A	N/A	N/A
Buna-N®	04-1010-52	04-1020-52	04-1080-52	N/A	04-1200-52-500	04-1300-52-500
Viton®	04-1010-53	04-1020-53	04-1080-53	N/A	N/A	N/A
Nordel® (EPDM)	04-1010-54	04-1020-54	04-1080-54	N/A	N/A	N/A
Teflon® PTFE	04-1010-55	N/A	04-1080-55	N/A	N/A	N/A
Teflon® PFA	N/A	N/A	N/A	04-1120-22-50	N/A	N/A
Teflon® Encap. (Viton®)	N/A	N/A	N/A	N/A	04-1200-60-500	04-1300-60-500
Polyurethane	04-1010-50	N/A	04-1080-50	N/A	04-1200-50-500	04-1300-50-500
Saniflex™	04-1010-56	N/A	04-1080-56	N/A	N/A	N/A
Wil-Flex™	04-1010-58	N/A	04-1080-58	N/A	N/A	N/A
Polypropylene	N/A	N/A	N/A	04-1120-20-500	N/A	N/A
PVDF	N/A	N/A	N/A	04-1120-21-500	N/A	N/A

NOTE: Rubber valve seats do not require an O-ring.

SECTION 10B – ACCU-FLO™ ELECTRICAL REFERENCE

NEMA 4 / UL / CSA

Part Number	Voltage ±10%			Power (W) ±10%	Current (A)			Resistivity (Ω)
	DC	AC			DC	AC		
		60 Hz	50 Hz			Inrush	Holding	
00-2110-99-150	24	48	44	4.8	.20	.20	.20	121
00-2110-99-151	12	24	22	4.8	.40	.40	.40	32
00-2110-99-155	60	120	110	4.8	.08	.08	.06	840

NEMA 7 / UL / CSA

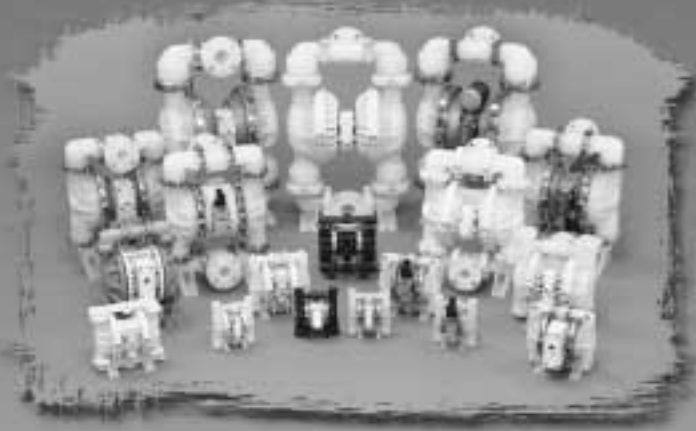
Part Number	Voltage ±10%			Power (W) ±10%	Current (A)			Resistivity (Ω)
	DC	AC			DC	AC		
		60 Hz	50 Hz			Inrush	Holding	
00-2110-99-153	12	24	22	7	.60	.55	.32	19
00-2110-99-154	24	48	44	7	.30	.30	.18	75
00-2110-99-156	60	120	110	7	.12	.13	.06	475

INTERNATIONAL EXPLOSION PROOF / CENELEC / PTB FILE # EX-91.C.2027

Part Number	DC Voltage ±10%	Power (W) ±10%	Current (A)		Resistivity (Ω)
			Inrush	Holding	
00-2110-99-157	24	3.3	.135	.135	177

ENGINEERED REVOLUTION

“Revolutionizing the way you solve your toughest pumping problems”



Plastic

- Polypropylene
- Carbon-Filled Acetal
- PVDF
- Teflon® PTFE
- Teflon® PFA



Metal

- Aluminum
- 316 S.S.
- Cast Iron
- Hastelloy



SANIFLO™

SANITARY PUMP TECHNOLOGY

FDA USDA 3A



HYTEC

BELLOWS TECHNOLOGY

ULTRAPURE

TEFLON PROCESS PUMPS

- Teflon® PFA
- Teflon® PTFE



Accessories

- SPCI
- Wil-Gard
- FCSI
- Equalizers
- Drum Pump Kits
- APV



WILDEN®

AIR OPERATED DOUBLE DIAPHRAGM PUMPS

22069 Van Buren St., Grand Terrace, CA 92313-5607
Telephone (909) 422-1730 • Fax (909) 783-3440
www.wildenpump.com

A **DOVER** RESOURCES COMPANY

Your local authorized distributor:

