

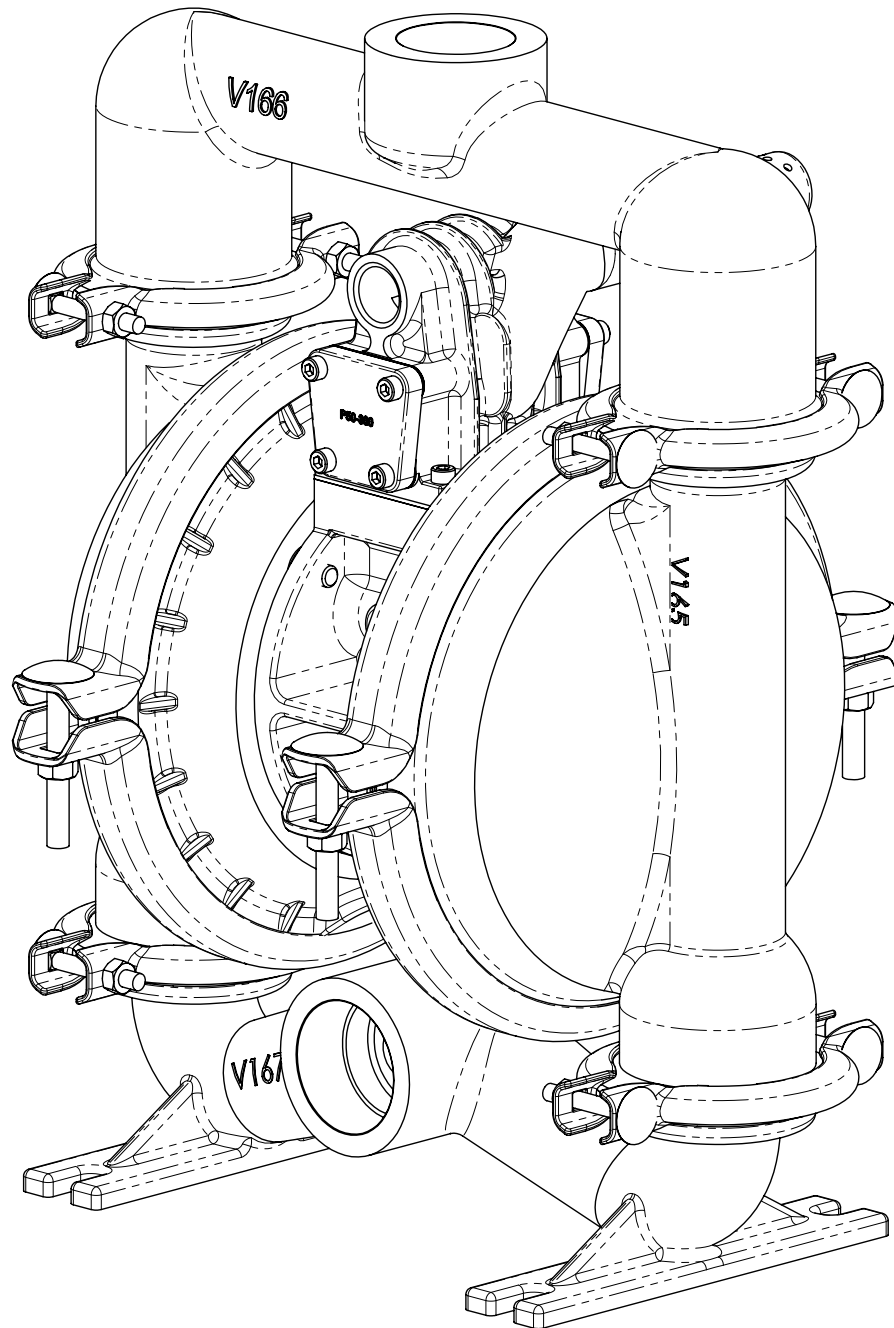
### 1 1/2" Elima-Matic Clamped Metallic

with Metallic Center Section

# E4

#### E4 Metallic Pumps

- Aluminum
- Cast Iron
- Stainless Steel

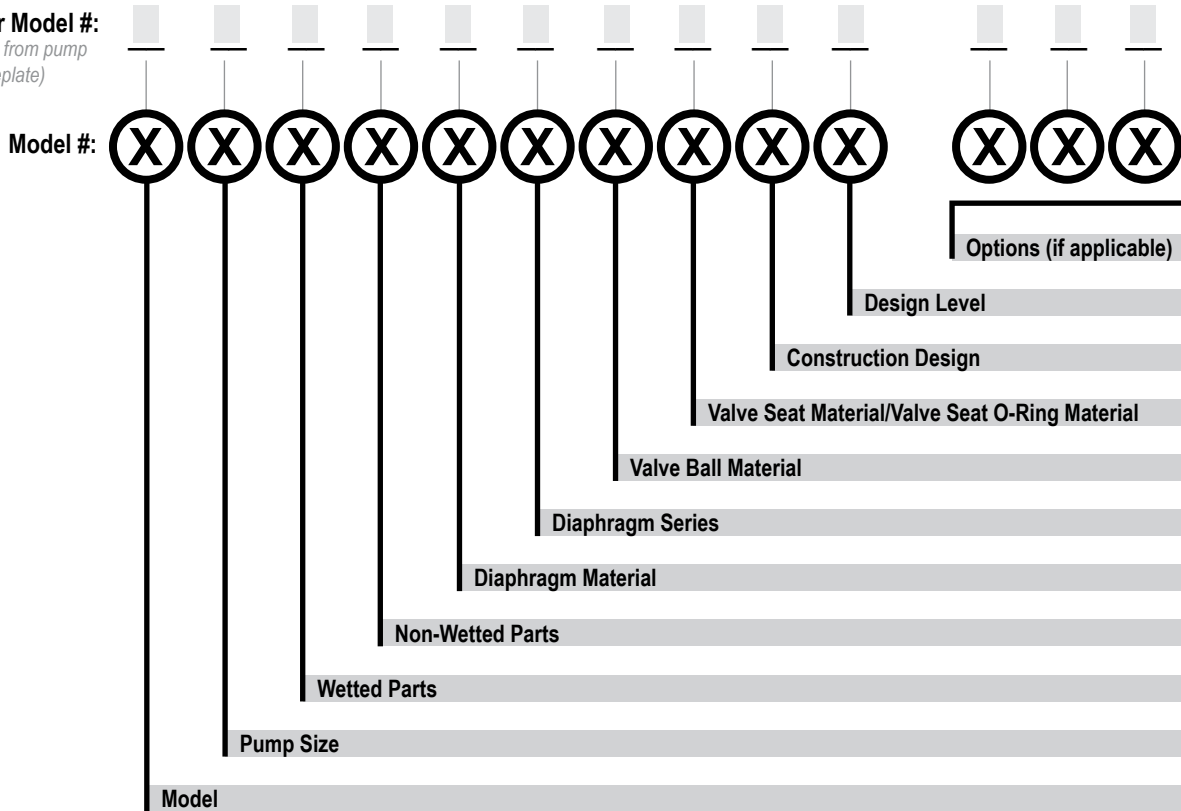


The logo features a stylized 'VM' monogram above the brand name 'VERSA-MATIC' in a bold, sans-serif font, with a registered trademark symbol (®).

# Explanation of Pump Nomenclature

Your Serial #: (fill in from pump nameplate) \_\_\_\_\_

Your Model #: (fill in from pump nameplate)



**Model**  
 E Elima-Matic  
 U Ultra-Matic  
 V V-Series  
 RE AirVantage

**Pump Size**  
 6 1/4"  
 8 3/8"  
 5 1/2"  
 7 3/4"  
 1 1"  
 4 1-1/4" or 1-1/2"  
 2 2"  
 3 3"

**Wetted Parts**  
 A Aluminum  
 C Cast Iron  
 S Stainless Steel  
 H Alloy C  
 P Polypropylene  
 K Kynar  
 G Groundable Acetal  
 B Aluminum (screen mount)

**Non-Wetted Parts**  
 A Aluminum  
 S Stainless Steel  
 P Polypropylene  
 G Groundable Acetal  
 Z PTFE-coated Aluminum  
 J Nickel-plated Aluminum  
 C Cast Iron  
 Q Epoxy-Coated Aluminum

**Diaphragm Material**  
 1 Neoprene  
 2 Nitrile (Nitrile)  
 3 FKM (Fluorocarbon)  
 4 EPDM  
 5 PTFE  
 6 Santoprene XL  
 7 Hytrel  
 9 Geolast  
 Y FDA Santoprene

**Diaphragm Series**  
 R Rugged  
 D Dome  
 X Thermo-Matic  
 T Tef-Matic (2-piece)  
 B Versa-Tuff (1-piece)  
 F FUSION (one-piece integrated plate)

**Valve Ball Material Valve**  
 1 Neoprene  
 2 Nitrile  
 3 (FKM) Fluorocarbon  
 4 EPDM  
 5 PTFE  
 6 Santoprene XL  
 7 Hytrel  
 8 Polyurethane  
 9 Geolast  
 A Acetal  
 S Stainless Steel  
 Y FDA Santoprene

**Seat/Valve Seat O-Ring Material**  
 1 Neoprene  
 2 Nitrile  
 3 (FKM) Fluorocarbon  
 4 EPDM  
 5 PTFE  
 6 Santoprene XL  
 7 Hytrel  
 8 Polyurethane  
 9 Geolast  
 A Aluminum w/ PTFE O-Rings  
 S Stainless Steel w/ PTFE O-Rings  
 C Carbon Steel w/ PTFE O-Rings  
 H Alloy C w/ PTFE O-Rings  
 T PTFE Encapsulated Silicone O-Rings  
 Y FDA Santoprene

**Construction Design**  
 9 Bolted  
 0 Clamped

**Design Level**  
 A  
 C

**Miscellaneous Options**  
 B BSP Tapered Thread  
 CP Center Port  
 ATEX ATEX Compliant  
 FP Food Processing  
 SP Sanitary Pump  
 HP High Pressure  
 OE Original Elima-Matic  
 F Flap Valve  
 HD Horizontal Discharge  
 3A 3-A Certified  
 UL UL Listed  
 OB Oil Bottle

\*More than one option may be specified for a particular pump model.

# Materials

Material Profile:	Operating Temperatures:	
	Max.	Min.
<b>CAUTION!</b> Operating temperature limitations are as follows:		
<b>Conductive Acetal:</b> Tough, impact resistant, ductile. Good abrasion resistance and low friction surface. Generally inert, with good chemical resistance except for strong acids and oxidizing agents.	190°F 88°C	-20°F -29°C
<b>EPDM:</b> Shows very good water and chemical resistance. Has poor resistance to oils and solvents, but is fair in ketones and alcohols.	280°F 138°C	-40°F -40°C
<b>FKM:</b> (Fluorocarbon) Shows good resistance to a wide range of oils and solvents; especially all aliphatic, aromatic and halogenated hydrocarbons, acids, animal and vegetable oils. Hot water or hot aqueous solutions (over 70°F) will attack FKM.	350°F 177°C	-40°F -40°C
<b>Hytrel®:</b> Good on acids, bases, amines and glycols at room temperatures only.	220°F 104°C	-20°F -29°C
<b>Neoprene:</b> All purpose. Resistance to vegetable oils. Generally not affected by moderate chemicals, fats, greases and many oils and solvents. Generally attacked by strong oxidizing acids, ketones, esters and nitro hydrocarbons and chlorinated aromatic hydrocarbons.	200°F 93°C	-10°F -23°C
<b>Nitrile:</b> General purpose, oil-resistant. Shows good solvent, oil, water and hydraulic fluid resistance. Should not be used with highly polar solvents like acetone and MEK, ozone, chlorinated hydrocarbons and nitro hydrocarbons.	190°F 88°C	-10°F -23°C
<b>Nylon:</b> 6/6 High strength and toughness over a wide temperature range. Moderate to good resistance to fuels, oils and chemicals.	180°F 82°C	32°F 0°C

<b>Polypropylene:</b> A thermoplastic polymer. Moderate tensile and flex strength. Resists strong acids and alkali. Attacked by chlorine, fuming nitric acid and other strong oxidizing agents.	180°F 82°C	32°F 0°C
<b>PVDF:</b> (Polyvinylidene Fluoride) A durable fluoroplastic with excellent chemical resistance. Excellent for UV applications. High tensile strength and impact resistance.	250°F 121°C	0°F -18°C
<b>Santoprene®:</b> Injection molded thermoplastic elastomer with no fabric layer. Long mechanical flex life. Excellent abrasion resistance.	275°F 135°C	-40°F -40°C
<b>UHMW PE:</b> A thermoplastic that is highly resistant to a broad range of chemicals. Exhibits outstanding abrasion and impact resistance, along with environmental stress-cracking resistance.	180°F 82°C	-35°F -37°C
<b>Urethane:</b> Shows good resistance to abrasives. Has poor resistance to most solvents and oils.	150°F 66°C	32°F 0°C
<b>Virgin PTFE:</b> (PFA/TFE) Chemically inert, virtually impervious. Very few chemicals are known to chemically react with PTFE; molten alkali metals, turbulent liquid or gaseous fluorine and a few fluoro-chemicals such as chlorine trifluoride or oxygen difluoride which readily liberate free fluorine at elevated temperatures.	220°F 104°C	-35°F -37°C
<i>Maximum and Minimum Temperatures are the limits for which these materials can be operated. Temperatures coupled with pressure affect the longevity of diaphragm pump components. Maximum life should not be expected at the extreme limits of the temperature ranges.</i>		
<b>Metals:</b>		
<b>Alloy C:</b> Equal to ASTM494 CW-12M-1 specification for nickel and nickel alloy.		
<b>Stainless Steel:</b> Equal to or exceeding ASTM specification A743 CF-8M for corrosion resistant iron chromium, iron chromium nickel and nickel based alloy castings for general applications. Commonly referred to as 316 Stainless Steel in the pump industry.		

For specific applications, always consult the Chemical Resistance Chart.

## AFTERMARKET PARTS

### RIGHT PART, RIGHT NOW

**Pumper Parts** is your single source for parts that fit Air-Operated Double Diaphragm (AODD) pumps

- Wilden®
- ARO®
- Yamada®

**Designed to perform equal to or greater than original equipment manufacture.**



Phone: (419) 526-7296  
 info@pumperparts.com  
 www.pumperparts.com

Pumper Parts and its products are not affiliated with any of the original equipment manufacturers referenced herein. All original equipment manufacturers' names, colors, pictures, descriptions and part numbers are used for identification purposes only. Pumper Parts® is a registered trade name of IDEX Corporation. All other trademarks, registered trademarks and product names are the property of their respective owners. Yamada® is a registered trademark of Yamada Corporation. ARO® is a registered trade name of Ingersoll-Rand Company. Wilden® is a registered trade name of Wilden Pump and Engineering Company, a Dover Resources Company.

# Performance

## E4 1 1/4" Clamped Pump ELASTOMERIC AND TPE FITTED

### Flow Rate

Adjustable to . . . . . 0-71 gpm (268 lpm)

### Port Size

Suction . . . . . 1 1/2" NPT

Discharge . . . . . 1 1/4" NPT

**Air Inlet** . . . . . 1/2" NPT

**Air Exhaust** . . . . . 3/4" NPT

### Suction Lift

Dry . . . . . 19' (5.8 m)

Wet . . . . . 31' (9.4 m)

### Max Solid Size (Diameter)

. . . . . 3/16" (4.76 mm)

### Max Noise Level

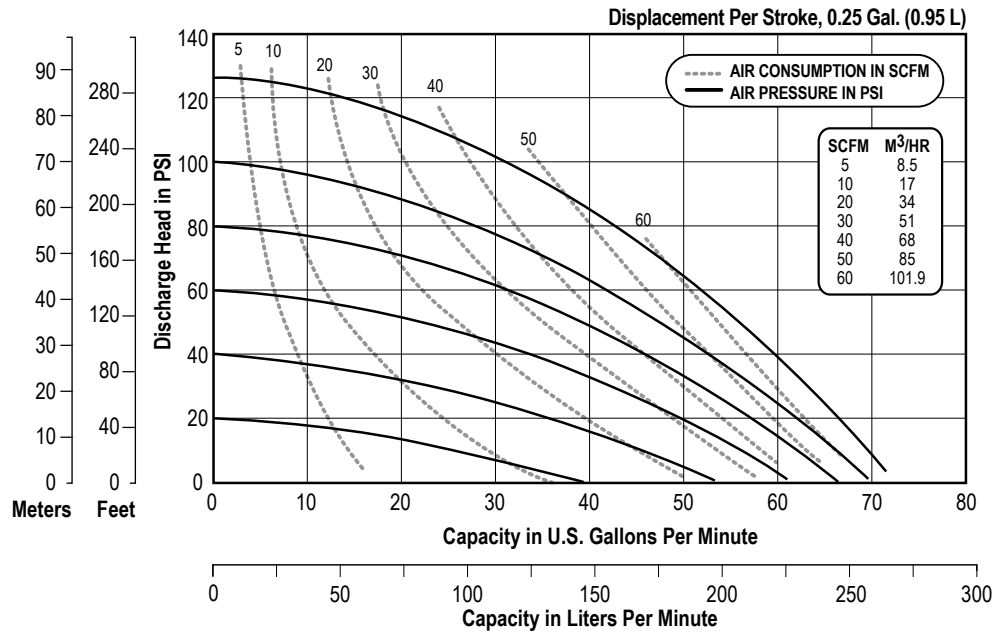
. . . . . 101 dB(A)

### Shipping Weights

Aluminum . . . . . 55 lbs (25 kg)

Cast Iron . . . . . 95 lbs (43 kg)

Stainless Steel . . . . . 92 lbs (42 kg)



NOTE: Performance based on the following: elastomeric fitted pump, flooded suction, water at ambient conditions. The use of other materials and varying hydraulic conditions may result in deviations in excess of 5%.

## E4 1 1/4" Clamped Pump PTFE Fitted

### Flow Rate

Adjustable to . . . . . 0-64 gpm (242.3 lpm)

### Port Size

Suction . . . . . 1 1/2" NPT

Discharge . . . . . 1 1/4" NPT

**Air Inlet** . . . . . 1/2" NPT

**Air Exhaust** . . . . . 3/4" NPT

### Suction Lift

Dry . . . . . 12' (3.7 m)

Wet . . . . . 29' (8.8 m)

### Max Solid Size (Diameter)

. . . . . 3/16" (4.76 mm)

### Max Noise Level

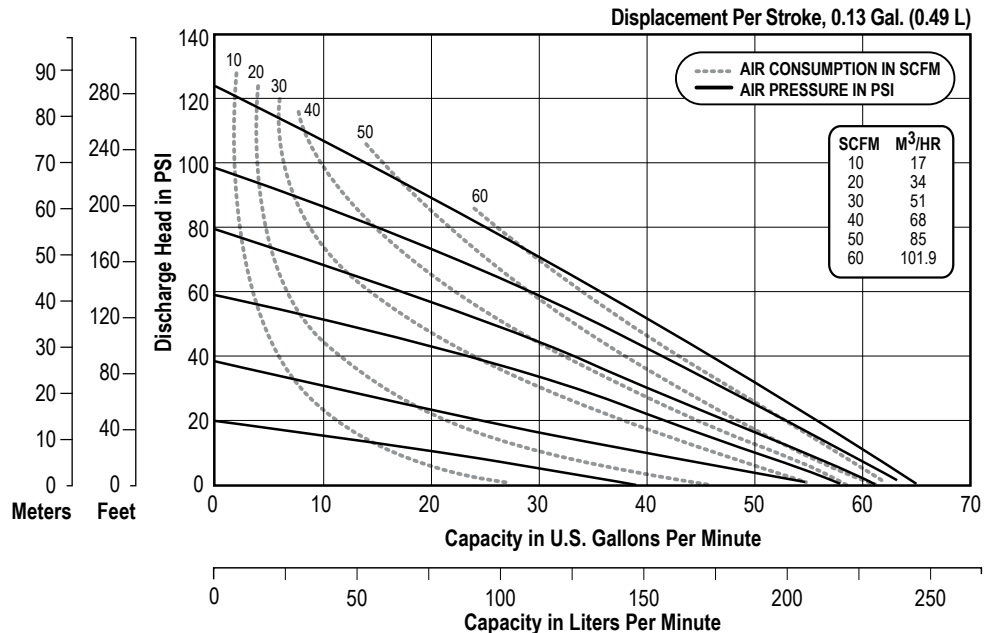
. . . . . 98 dB(A)

### Shipping Weights

Aluminum . . . . . 55 lbs (25 kg)

Cast Iron . . . . . 95 lbs (43 kg)

Stainless Steel . . . . . 92 lbs (42 kg)



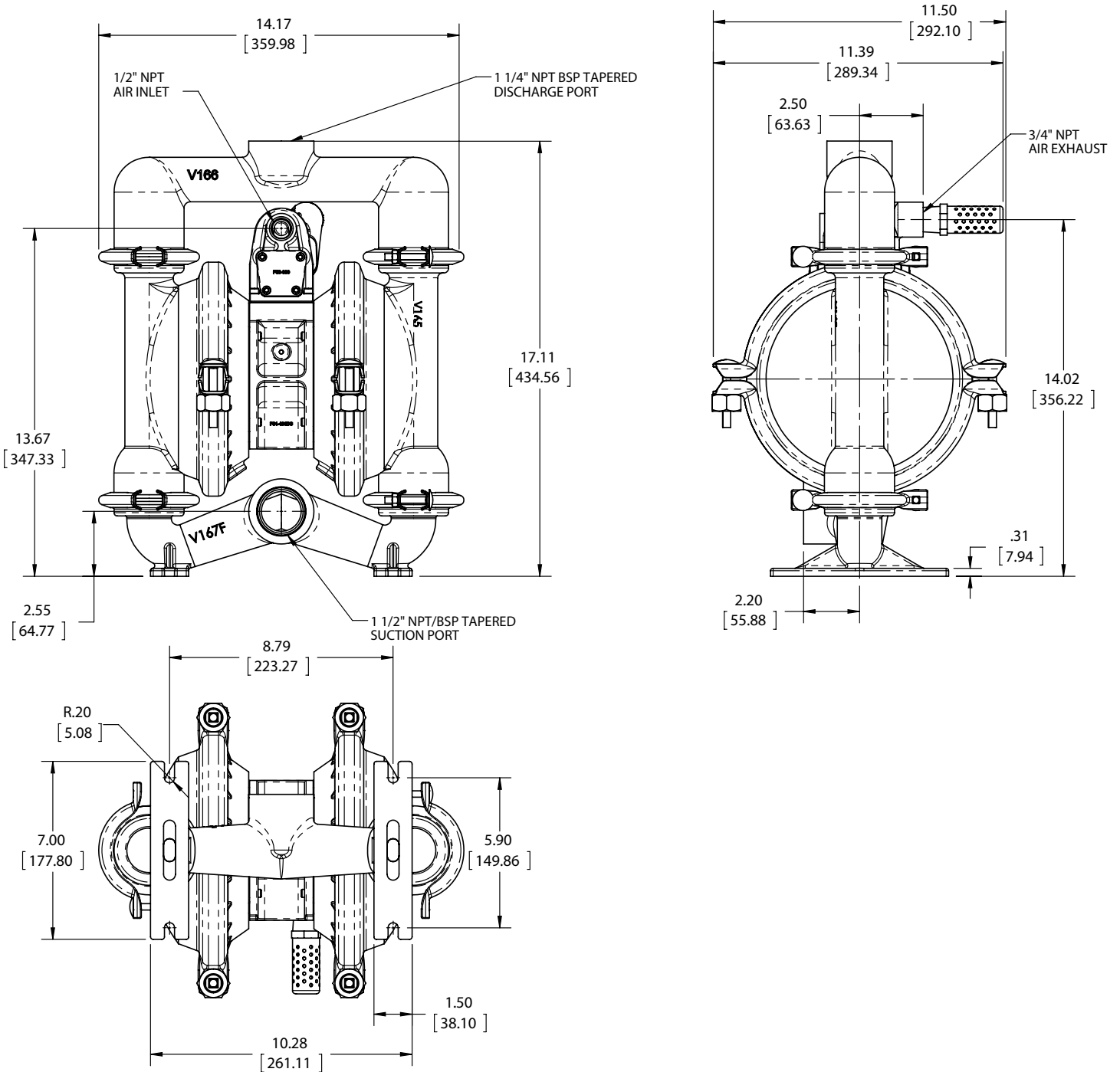
NOTE: Performance based on the following: PTFE fitted pump, flooded suction, water at ambient conditions. The use of other materials and varying hydraulic conditions may result in deviations in excess of 5%.

# Dimensional Drawings

## E4 Metallic Clamped - Aluminum

Dimensions in inches (metric dimensions in brackets)

The dimensions on this drawing are for reference only. A certified drawing can be requested if physical dimensions are needed.

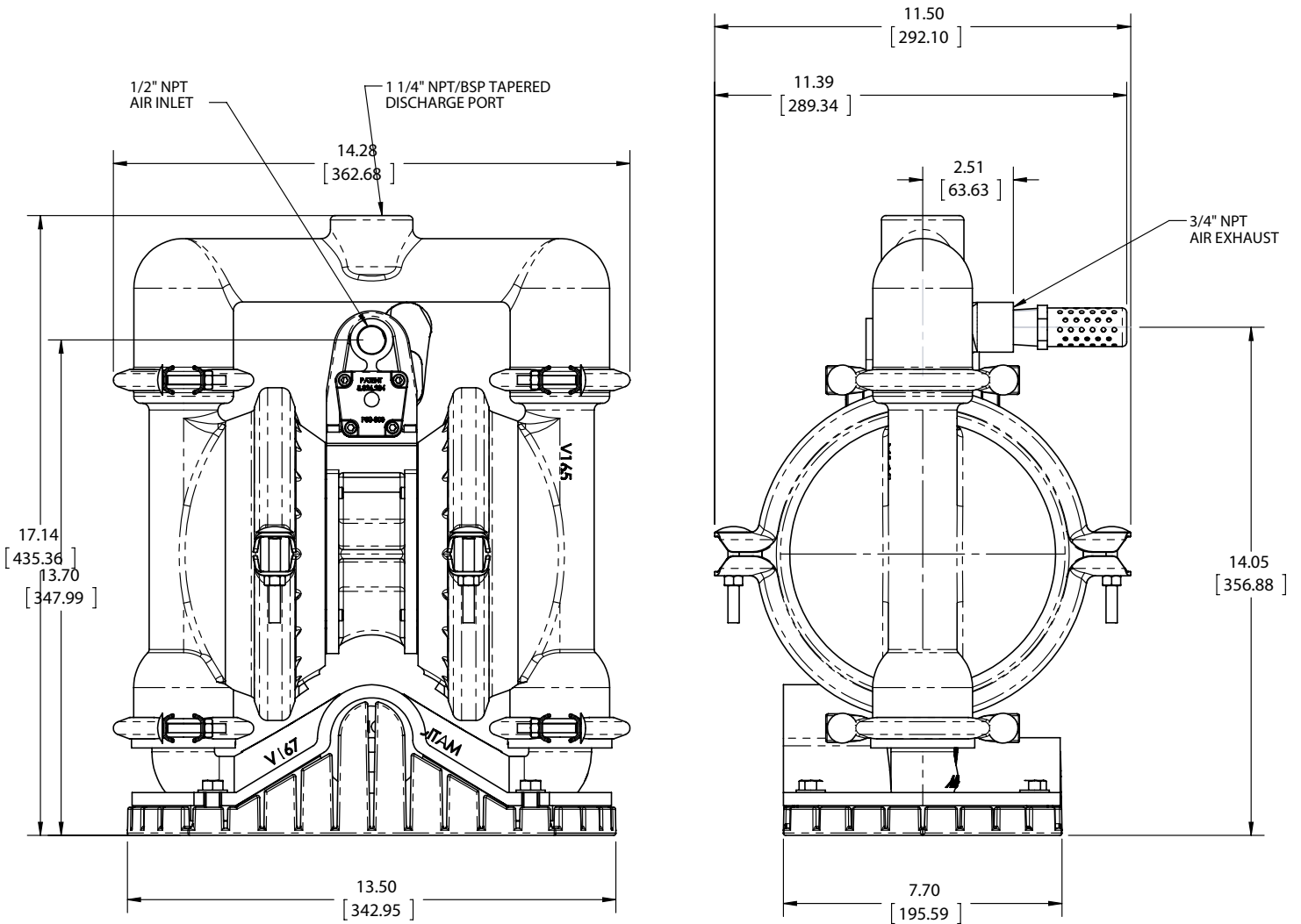


# Dimensional Drawings

## E4 Metallic Clamped - Base Mounted Aluminum

Dimensions in inches (metric dimensions in brackets)

The dimensions on this drawing are for reference only. A certified drawing can be requested if physical dimensions are needed.

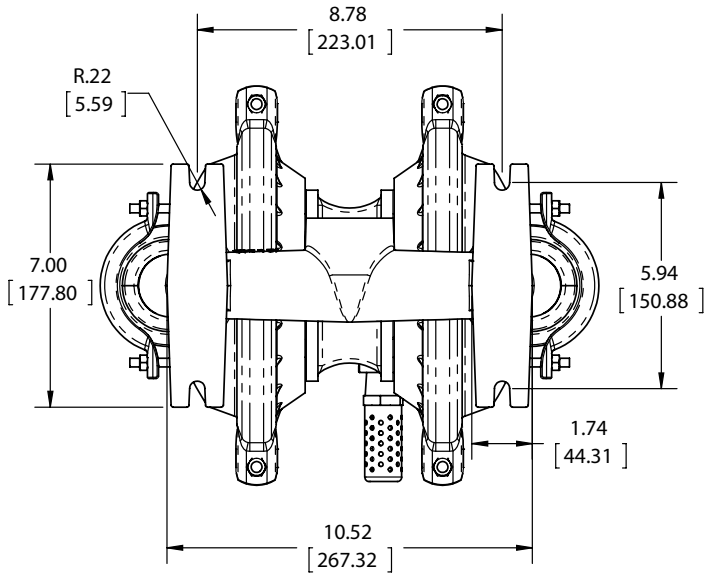
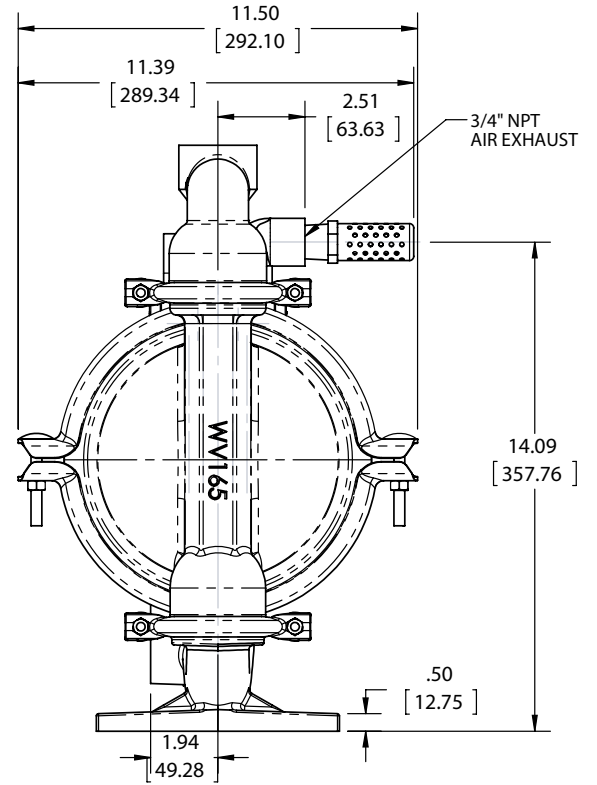
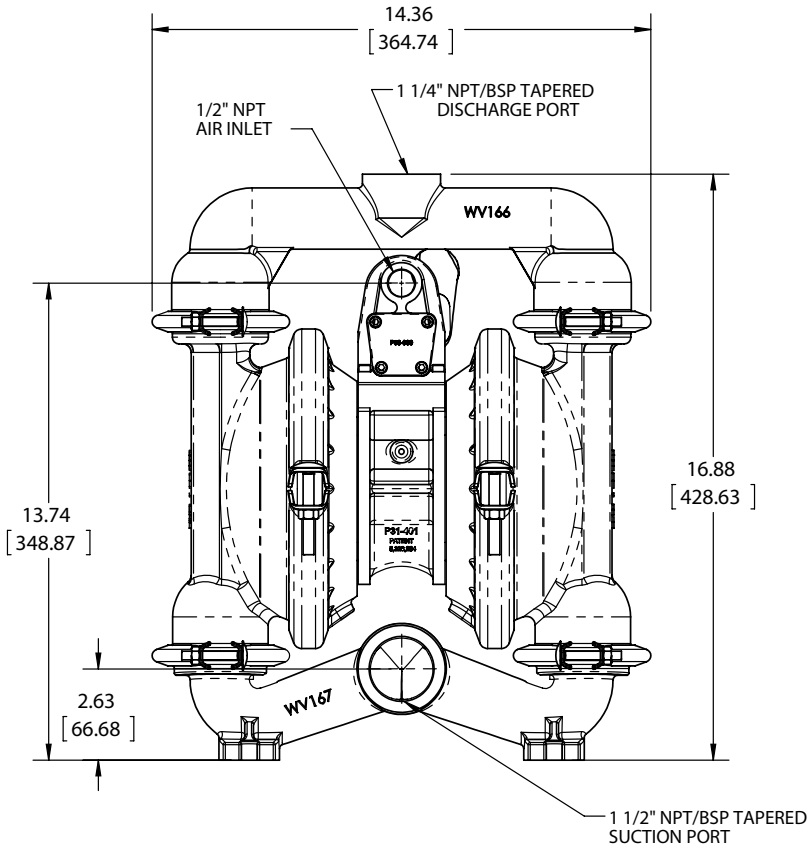


# Dimensional Drawings

## E4 Metallic Clamped - Cast Iron

Dimensions in inches (metric dimensions in brackets)

The dimensions on this drawing are for reference only. A certified drawing can be requested if physical dimensions are needed.

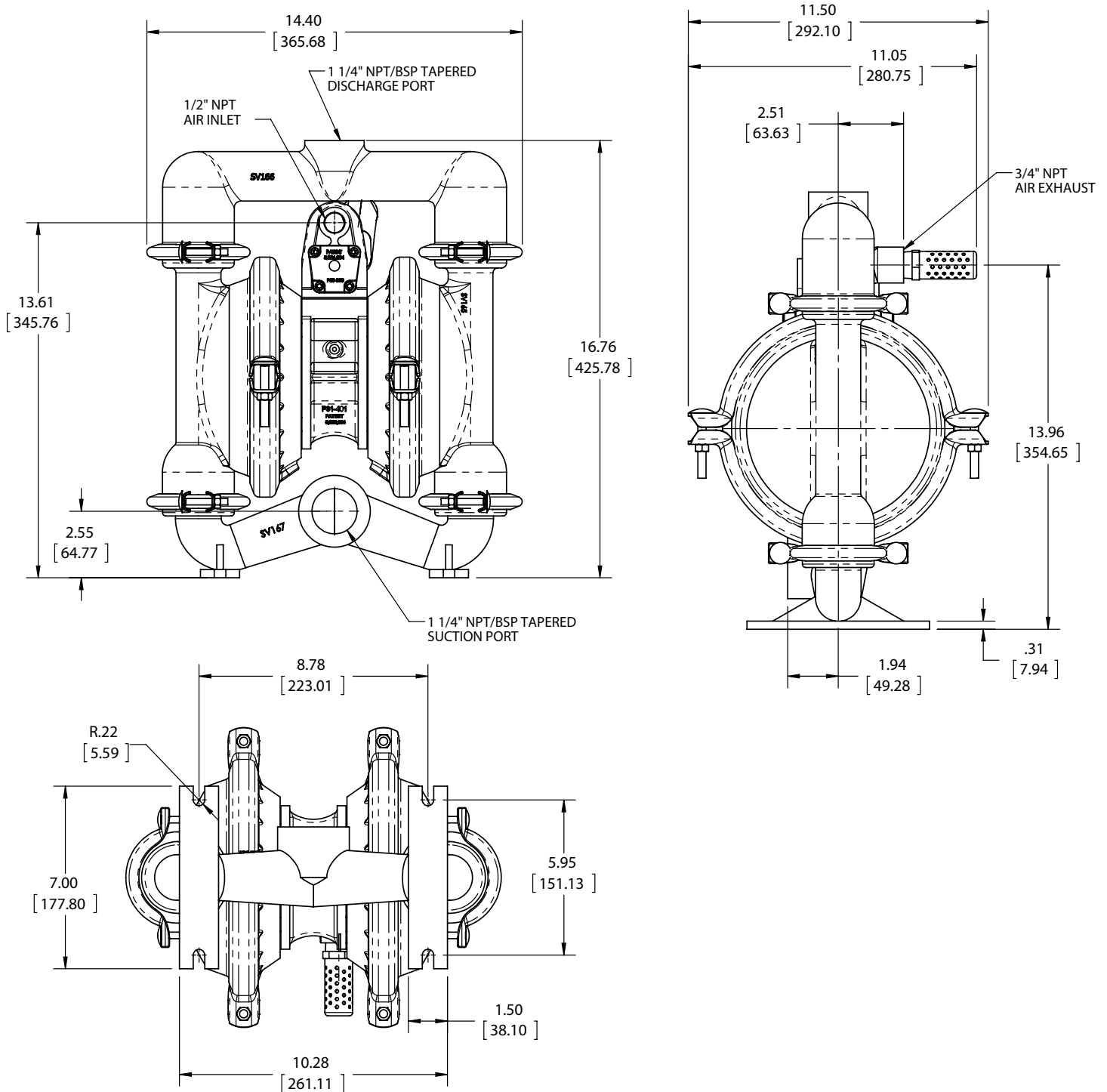


# Dimensional Drawings

## E4 Metallic Clamped - Stainless Steel

Dimensions in inches (metric dimensions in brackets)

The dimensions on this drawing are for reference only. A certified drawing can be requested if physical dimensions are needed.





# Written Warranty

## 5 - YEAR Limited Product Warranty

Quality System ISO9001 Certified • Environmental Management Systems ISO14001 Certified

Versa-Matic warrants to the original end-use purchaser that no product sold by Versa-Matic that bears a Versa-Matic brand shall fail under normal use and service due to a defect in material or workmanship within five years from the date of shipment from Versa-Matic's factory.

~ See complete warranty at <http://www.versamatic.com/pdfs/VM%20Product%20Warranty.pdf> ~

### DECLARATION OF CONFORMITY

DECLARATION DE CONFORMITE • DECLARACION DE CONFORMIDAD • ERKLÄRUNG BEZÜGLICH EINHALTUNG DER VORSCHRIFTEN  
DICHIARAZIONE DI CONFORMITÀ • CONFORMITEITSVERKLARING • DEKLARATION OM ÖVERENSSTÄMMELSE  
EF-OVERENSSTEMMELSESERKLÆRING • VAATIMUSTENMUKAISUUSVAKUUTUS • SAMSVARSERKLÄRING  
DECLARAÇÃO DE CONFORMIDADE

#### MANUFACTURED BY:

FABRIQUE PAR:  
FABRICADA POR:  
HERGESTELLT VON:  
FABBRICATO DA:  
VERVAARDIGD DOOR:  
TILLVERKAD AV:  
FABRIKANT:  
VALMISTAJA:  
PRODUSENT:  
FABRICANTE:

**VERSA-MATIC®**  
Warren Rupp, Inc.  
A Unit of IDEX Corporation  
800 North Main Street  
P.O. Box 1568  
Mansfield, OH 44901-1568 USA  
Tel: 419-526-7296  
Fax: 419-526-7289



#### PUMP MODEL SERIES: E SERIES, V SERIES, VT SERIES, VSMA3, SPA15, RE SERIES AND U2 SERIES

##### This product complies with the following European Community Directives:

Ce produit est conforme aux directives de la Communauté européenne suivantes:

Este producto cumple con las siguientes Directrices de la Comunidad Europea:

Dieses produkt erfüllt die folgenden Vorschriften der Europäischen Gemeinschaft:

Questo prodotto è conforme alle seguenti direttive CEE:

Dir produkt voldoet aan de volgende EG-richtlijnen:

Denna produkt överensstämmer med följande EU direktiv:

Versa-Matic, Inc., erklærer herved som fabrikant, at ovennævnte produkt er i overensstemmelse med bestemmelserne i Direktive:

Tämä tuote täyttää seuraavien EC Direktiivien vaatimukset:

Dette produkt oppfyller kravene til følgende EC Direktiver:

Este produto está de acordo com as seguintes Directivas comunitárias:

**2006/42/EC**  
on Machinery, according  
to Annex VIII

##### This product has used the following harmonized standards to verify conformance:

Ce matériel est fabriqué selon les normes harmonisées suivantes, afin d' en garantir la conformité:

Este producto cumple con las siguientes directrices de la comunidad europea:

Dieses produkt ist nach folgenden harmonisierten standards gefertigt worden, die übereinstimmung wird bestätigt:

Questo prodotto ha utilizzato i seguenti standards per verificare la conformità:

De volgende geharmoniseerde normen werden gehanteerd om de conformiteit van dit produkt te garanderen:

För denna produkt har följande harmoniserande standarder använts för att bekräfta överensstämmelse:

Harmoniserede standarder, der er benyttet:

Tässä tuotteessa on sovellettu seuraavia yhdenmukaistettuja standardeja:

Dette produkt er produsert i overensstemmelse med følgende harmoniserte standarder:

Este produto utilizou os seguintes padrões harmonizados para verificar conformidade:

**EN809:1998+**  
**A1:2009**

#### AUTHORIZED/ APPROVED BY:

Approuve par:  
Aprobado por:  
Genehmigt von:  
approvato da:  
Goedgekeurd door:  
Underskrift:  
Valtuutettuna:  
Bemyndiget av:  
Autorizado Por:

  
Dave Roseberry  
Engineering Manager

**DATE: August 10, 2011**

FECHA:  
DATUM:  
DATA:  
DATO:  
PÄIVÄYS:



VMQR 044FM

04/19/2012 REV 07

# DECLARATION OF CONFORMITY WITH ATEX 95 DIRECTIVE



Date of Issue: 22 April, 2008

Reference No: SH071304-ATEX-01P and  
HS032204-ATEX-01P

Quality System Registration No: ISO 9001-2000

Directive: 94/9/EC 23 March 1994 Annex VIII

Conforming Apparatus: Air-Operated Metal  
Double Diaphragm Pumps for Use In Potentially  
Explosive Atmospheres

Hazardous Location Applied: 1. II 3/2GD c T5  
T5 fluids up to 95° C  
2. I M2 c  
fluids up to 95° C  
Pumps marked with equipment Category II 3/2 G  
(internal 3 G / external 2 G), 2D, when used with  
non-conductive fluids. The pumps are Category II 2 G  
when used for conductive fluids.

Manufacture: Warren Rupp, Inc., A Unit of IDEX Corporation  
800 North Main Street, P.O. Box 1568  
Mansfield, OH 44901-1568  
USA.

On File With: LCIE  
33, avenue du Général Leclerc  
F 92260 Fontenay-aux-Roses  
FRANCE

Harmonized Standards Applied: BS EN 13463-1:2001 Non-Electrical Equipment  
Potentially Explosive Atmospheres-Part 1 Basic  
Methods and Requirements  
prEN 13463-5 Non-Electrical Equipment for  
Potentially Explosive Atmospheres-Part 5  
Protection by Constructional Safety

We hereby certify that the above apparatuses described above conforms with the protection requirements of Council Directive 94/9/EC of 23 March 1994 Annex VIII on the approximation of the laws of the Member States Concerning Equipment and Protective Systems Intended for use in Potentially Explosive Atmospheres

Dave Roseberry  
Engineering Manager

DATE/OF REVISION/TITLE:  
27 May 2010

# DECLARATION OF CONFORMITY WITH ATEX 95 DIRECTIVE



Date of Issue: 22 April, 2008

Reference No: SH071304-ATEX-01P and  
HS032204-ATEX-01P Page 2 of 2

Quality System Registration No: ISO 9001-2000

Equipments:

1. Elimatic Series metal pumps for  
II 3/2GD c T5
2. Elimatic Series Cast Iron or Stainless Steel  
pumps with Stainless Steel air center sections  
for I M2 c

  
**VERSA-MATIC®**

**IDEX**  
CORPORATION