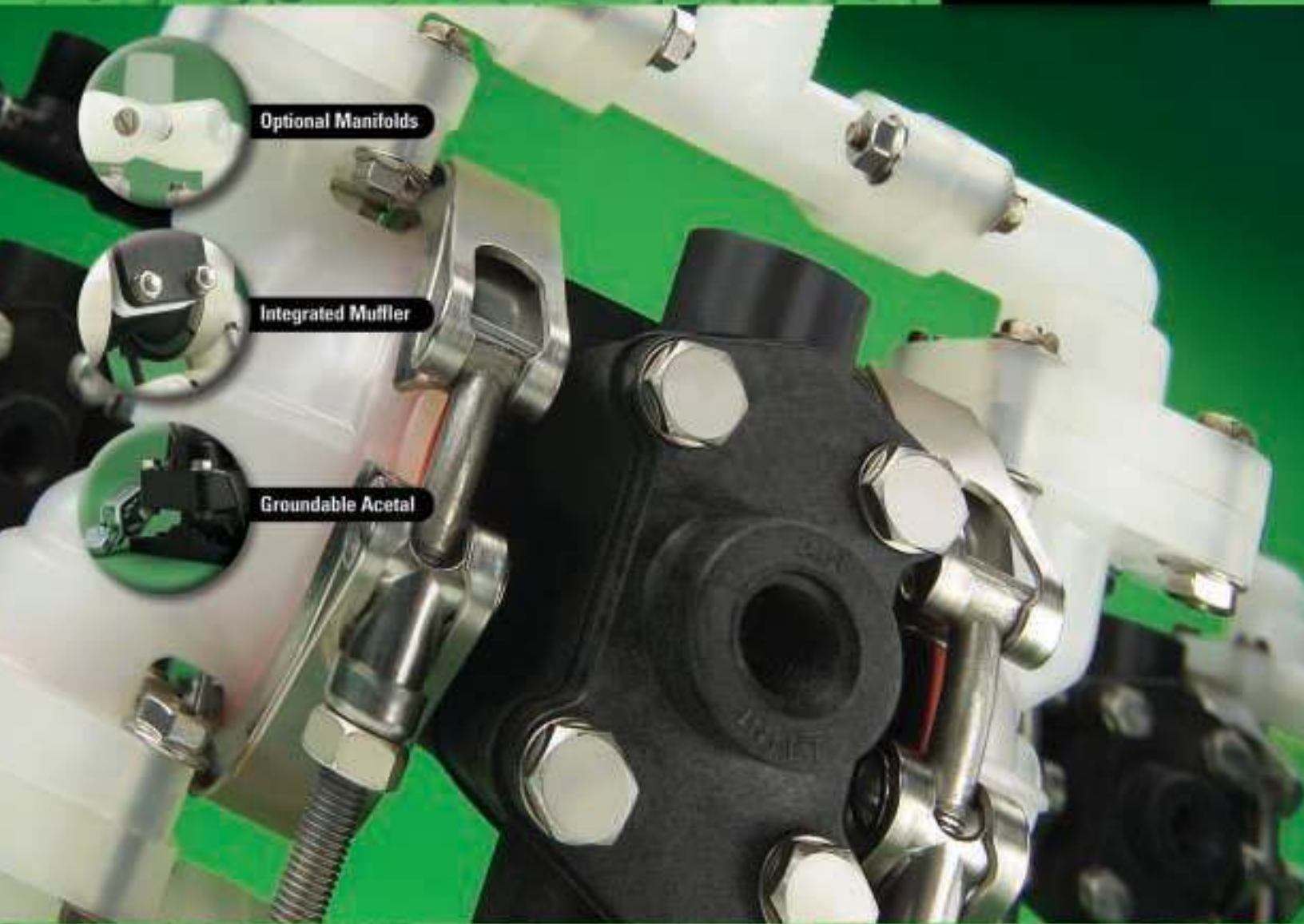


# 1/4" Plastic Pumps

**VERSA-MATIC  
PUMP**



Optional Manifolds

Integrated Muffler

Groundable Acetal

*Ink & Pigment Dispensing*  
*Car Wash Applications*  
*Oil and Quick Lube Applications*  
*Chemical Batching/Dosing*  
*Drum/Pail Transfer*  
*Adhesive Dispensing*



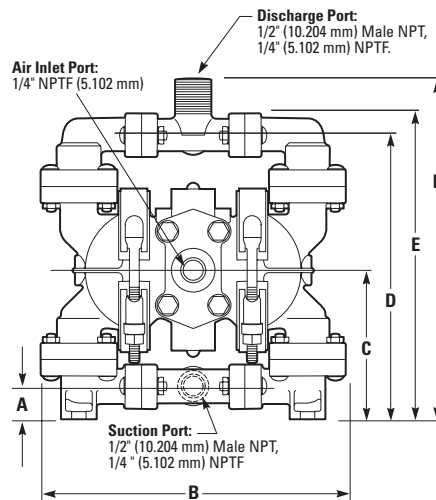
# E6 1/4" Plastic Pumps Precision Quality Pumps By Versa-Matic®

Introducing the line of **E6 1/4" Plastic Pumps**, the latest addition to the Versa-Matic line of precision quality diaphragm pumps. The new E6P was engineered with original equipment manufacturers (OEMs) in mind and provides tremendous system flexibility.

- **Dual-threaded manifolds** threaded both internally and externally (ID/OD)
- **Choice of manifold configuration** horizontal or vertical
- **Integrated muffler** one of the quietest and most compact pumps in its class
- **Non-stalling, lube-free air valve system** guaranteed reliable operation
- **Available in groundable Acetal** for pumping volatile mediums

Call your local authorized Versa-Matic distributor today for more details on E6P pumps and accessories.

## DIMENSIONS E6P



E6P DIMENSIONS					
ITEM	INCHES	MM	ITEM	INCHES	MM
A	0.75	19	D	6.5625	167
B	7.00	178	E	7.0625	179
C	3.4375	87	F	7.8125	198

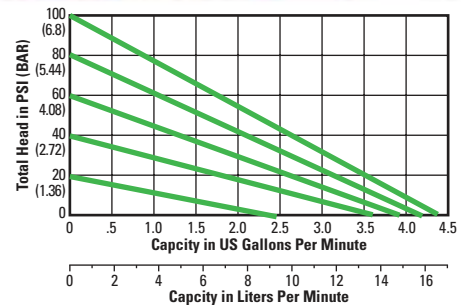
## ACCESSORIES E6P

E6 1/4" plastic pumps are available with a wide variety of accessory options, including:

- **Pump controller/stroke counter**
- **Drum/pail adapter kits**
- **Surge suppressors**



## PERFORMANCE E6P



## SPECIFICATIONS E6P

	English	Metric
<b>Flow rate</b>	adjustable to	
	0-4 gpm	0-15 lpm
<b>Port size</b>	Inlet & Outlet 0.25" NPTF I.D. 0.5" NPTM O.D.	
<b>Air inlet</b>	0.25" NPT	6.35 mm
<b>Air exhaust</b>	0.75" NPT	
<b>Suction lift</b>		
Dry	5.83'	1.78 m
Wet	25.5'	7.77 m
<b>Max. particle size</b>		
(Dia.)	0.3125"	1 mm
<b>Shipping weight</b>		
Polypropylene	3.38 lbs	1.53 kg
PVDF	4.13 lbs	1.87 kg
Acetal	4.09 lbs	1.85 kg



**VERSA-MATIC® PUMP COMPANY**

A Unit of IDEX Corporation  
6017 Enterprise Drive  
Export, PA 15632-8969

(724) 327-7867

Fax: (724) 327-4300

[www.versamatic.com](http://www.versamatic.com)



©2001 Versa-Matic Tool, Inc.

VM-1001-2